

ISOFLAMES® Outdoor Firetable Kit

40" Square Firetable (SFT-37)

60" Linear Firetable (LFT-60)

DESIGNED FOR EXCLUSIVE USE WITH ISOFLAMES OUTDOOR TABLE BURNERS

A PRODUCT OF EARTHCORE® INDUSTRIES, LLC

Important: This manual is intended as a supplement to the Isoflames Outdoor Table Burner manual and contains the basic assembly instructions for the Isoflames Outdoor Firetables. This manual, and that of the accompanying Isoflames Outdoor Table Burner must become the property of and be reviewed by all current and future users of this product. It is the responsibility of the installer of this product to ensure that the instructions in these manuals are followed exactly and be installed in strict accordance with their sizing, installation, and operation instructions. It is the responsibility of the installer to provide adequate clearances from all surfaces of appliance as specified in the Isoflames Outdoor Table Burner manual.

INSTALLER: Leave this manual with the appliance
CONSUMER: Retain this manual for future reference

Be Sure to Read Entire Manual Before Beginning Construction.

Contents of this manual may change without prior notification.

▲ DANGER
FIRE OR EXPLOSION HAZARD

If you smell gas:

- Shut off gas to the appliance.
- Extinguish any open flame.
- If odor continues, leave the area immediately.
- After leaving the area, call your gas supplier or fire department.

Failure to follow these instructions could result in fire or explosion, which could cause property damage, personal injury, or death.

The Isoflames Firetables and Isoflames Outdoor Table Burners are for **OUTDOOR USE ONLY** and **MUST NOT** be used for cooking. The installation must conform with the National Fuel Gas Code, ANSI Z223.1/NFPA 54, or the CSA B149.1 Natural Gas and Propane Installation Code, and applicable local building codes. Warning: Solid fuels shall not be burned where a decorative appliance is installed.

▲ WARNING

Do not store or use gasoline, or other flammable vapors and liquids, in the vicinity of this or any other appliance.

An LP-cylinder not connected for use shall not be stored in the vicinity of this or any other appliance.

▲ DANGER

CARBON MONOXIDE HAZARD

This appliance can produce carbon monoxide which has no odor.

Using it in an enclosed space can kill you.

Never use this appliance in an enclosed space such as a camper, tent, car or home.



▲ WARNING: For Outdoor Use Only.

Installation and service must be performed by a qualified installer, service agency, or the gas supplier.

▲ WARNING: If the information in this manual is not followed exactly, a fire or explosion may result causing property damage, personal injury, or loss of life.

Issued: May 2022

Revision: 000

©2022 Earthcore Industries, LLC

THESE APPLIANCES ARE DESIGNED FOR USE WITH:

PROPANE (LP) OR NATURAL GAS (NG), ONLY

THIS MANUAL CAN ONLY BE REPRODUCED IN ITS ENTIRETY

40" Square Firetable (SFT-37) with 18" Square Table Burner (ISF18STB)

The 40" Square Firetable is constructed with the Isokern Isopanel(s) supplied with the kit and requires only a few simple cuts applied in the field using a circular saw with diamond-blade. The illustrations shown below assume a hard-piped gas supply is brought to the unit, however the Isopanel(s) are easily modified to accept an aftermarket propane tank access door (20lb tank).

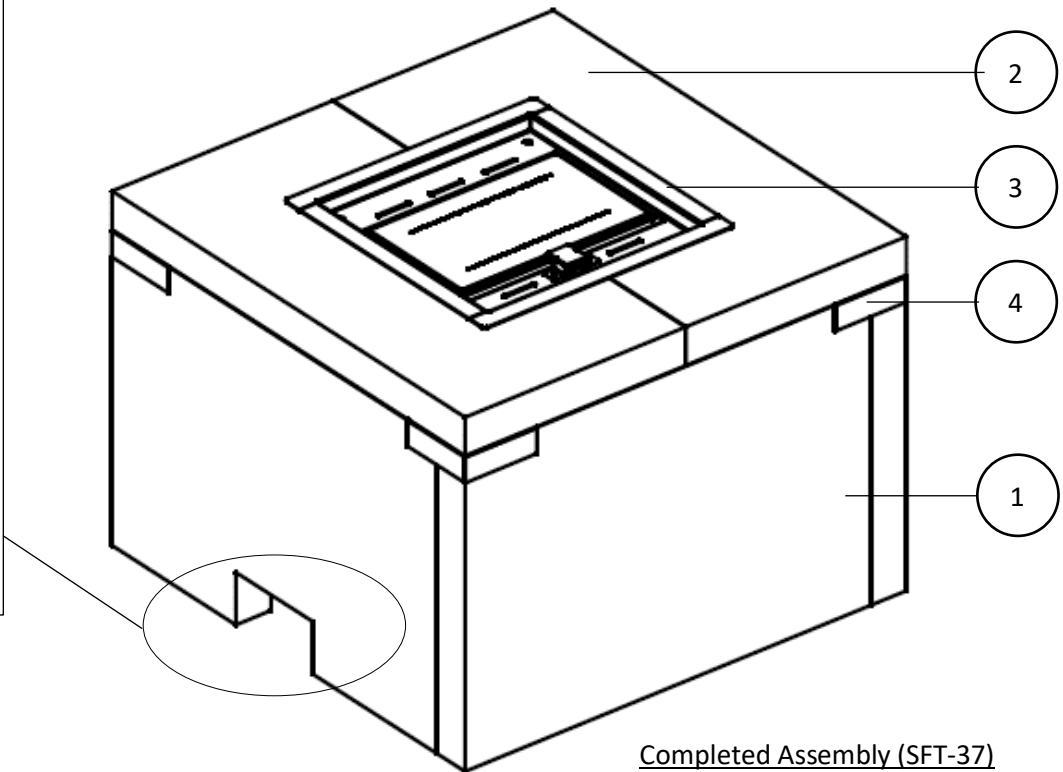
- **IMPORTANT:** Unit weight without finish material is 575 pounds. Ensure the area where the unit is placed is engineered to withstand the weight of the Firetable as well as the weight of any finish material applied.
- **IMPORTANT:** Apply Earthcore Adhesive to all mating faces of the Isopanel(s) and arrange them into the configuration shown below. The Isoclips that are included in your kit may be used to help align the Isokern components.
- Once aligned and flush, secure the Isoclips to the Isopanel(s) using Tapcon screws.
- Set a bed of Earthcore Adhesive on the top of the walls and set the 40" Square Table-Top(s) into place.
- Insert the Isoflames Square burner in the opening in the Square Table-Top. Ensure the instructions included with the Isoflames Square Table Burner are followed exactly and that the burner is installed in strict accordance with its sizing, installation, and operation instructions. It is the responsibility of the installer to provide adequate clearances from all surfaces of appliance as specified in the Isoflames Table Burner manual.

40" Square Firetable (SFT-37)		
Item	Qty	Description
1	4	Isopanel
2	2	40" Square Table Top
3	1	Isoflames 18" Square Table Burner
4	4	Isokern 90 deg. clip

IMPORTANT: Prior to assembly, at least one fresh air inlet shall be cut into the bottom of one of the Isopanel(s).

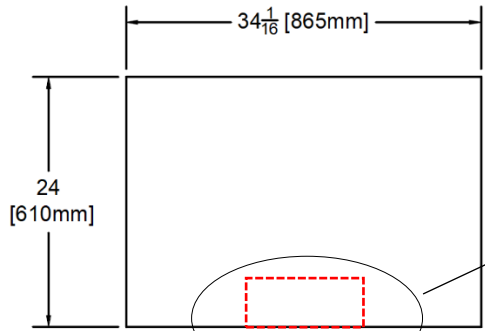
The inlet(s) shall provide a minimum opening area of 32 sq.in. (8" x 4")

Airflow to this inlet shall not be obstructed by finish material or by placement against a wall or similar neighboring construction.



Completed Assembly (SFT-37)

40" Square Firetable (SFT-37) Cut-Sheet (cuts applied in field)

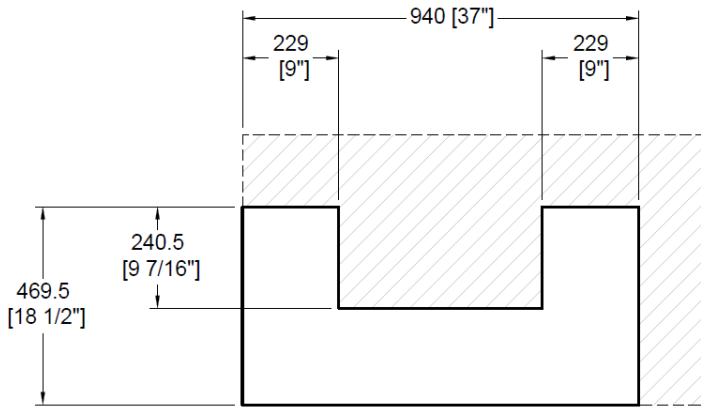


Isopanel
Qty: 4

IMPORTANT: Prior to assembly, at least one fresh air inlet shall be cut into the bottom of one of the Isopanel.

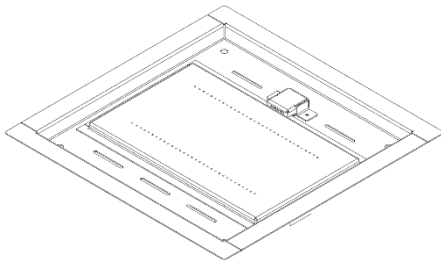
The inlet(s) shall provide a minimum opening area of 32 sq.in. (8" x 4")

Airflow to this inlet shall not be obstructed by finish material or by placement against a wall or similar neighboring construction.

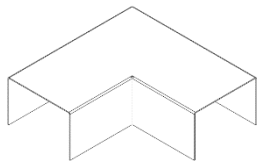


40" Square Table Top
Qty: 2

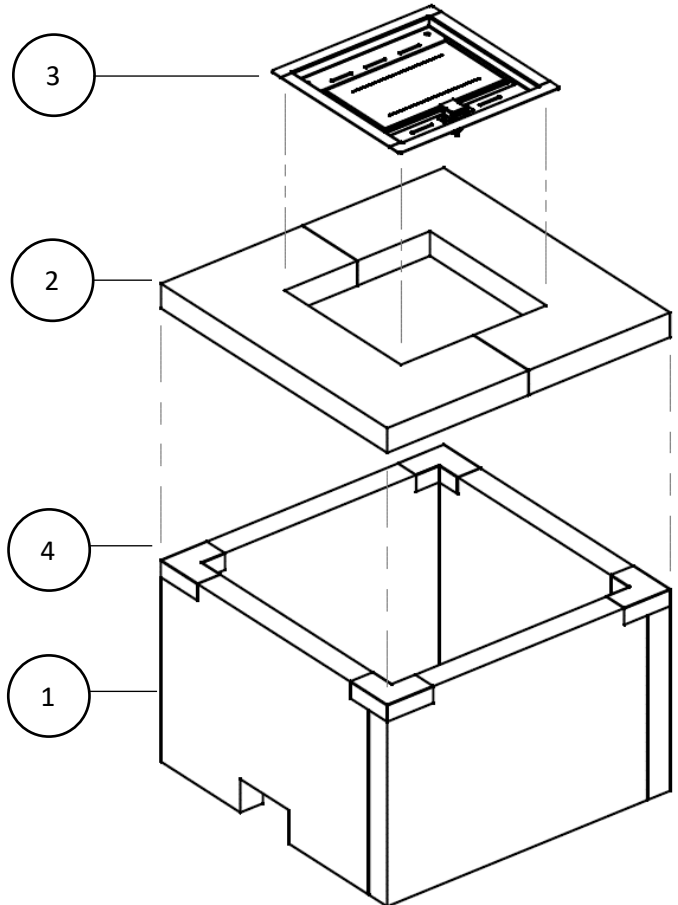
40" Square Firetable (SFT-37)		
Item	Qty	Description
1	4	Isopanel
2	2	40" Square Table-Top
3	1	Isoflames 18" Square Table Burner
4	4	Isokern 90 deg. clip



Isoflames 18" Square Table Burner
Qty:1



Isokern 90 deg. clip
Qty: 4



Exploded Assembly (SFT-37)

60" Linear Firetable (LFT-60) and 48" Linear Table Burner (ISF48LTB)

The 60" Linear Firetable is constructed with the Isokern Isopanel supplied with the kit and requires only a few simple cuts applied in the field using a circular saw with diamond-blade. The illustrations shown below assume a hard-piped gas supply is brought to the unit, however the Isopanel is easily modified to accept an aftermarket propane tank access door (20lb tank).

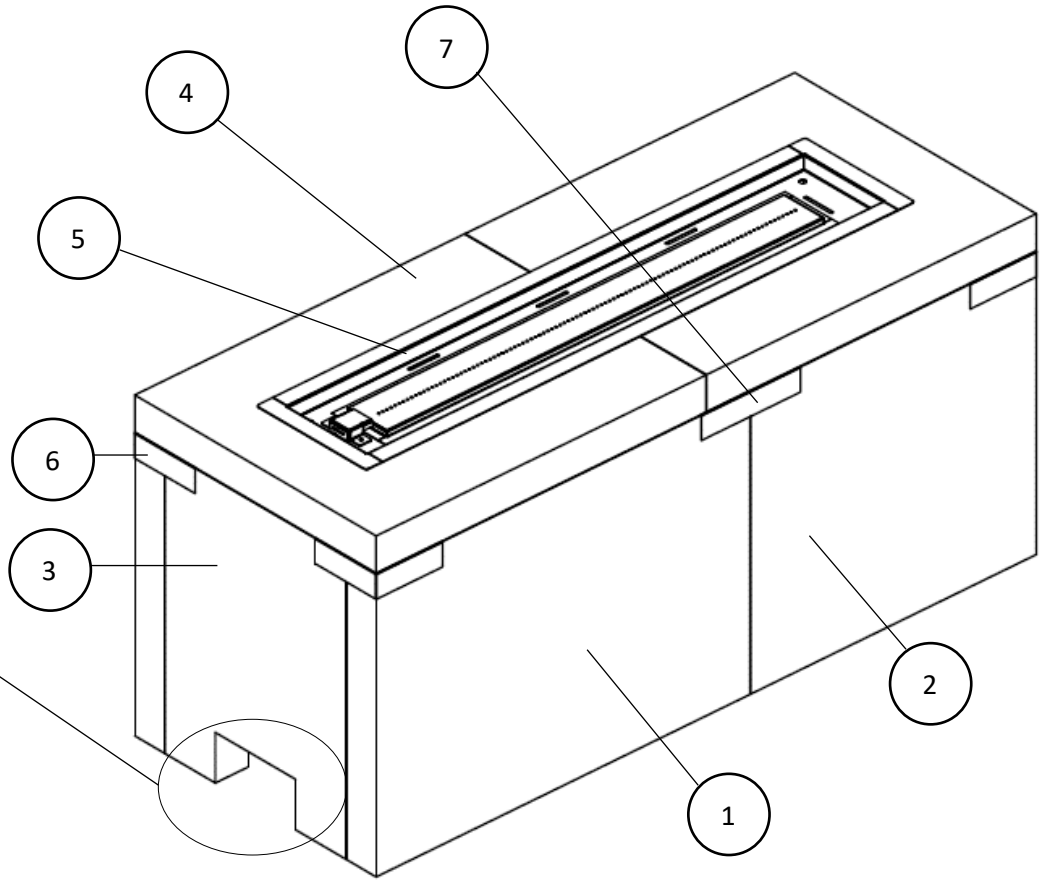
- **IMPORTANT:** Unit weight without finish material is 675 pounds. Ensure the area where the unit is placed is engineered to withstand the weight of the Firetable as well as the weight of any finish material applied.
- **IMPORTANT:** Apply Earthcore Adhesive to all mating faces of the Isopanel and arrange into the configuration shown below. The Isoclips that are included in your kit may be used to help align the Isokern components.
- Once aligned and flush, secure the Isoclips to the Isopanel using Tapcon screws.
- Set a bed of Earthcore Adhesive on the top of the walls and set the Linear Table-Tops into place.
- Insert the Isoflames 48" Linear Table Burner in the opening in the Linear Table-Top. Ensure the instructions included with the Isoflames 48" Linear Table Burner are followed exactly and that the burner is installed in strict accordance with its sizing, installation, and operation instructions. It is the responsibility of the installer to provide adequate clearances from all surfaces of appliance as specified in the Isoflames Table Burner manual.

60" Linear Fire-table (LFT-60)		
Item	Qty	Description
1	2	Isopanel
2	2	Isopanel-Short
3	3	Isopanel-Center/End
4	2	Linear Table-Top
5	1	Isoflames 48" Linear Table Burner
6	4	Isokern 90 deg. clip
7	2	Isokern "T" clip

IMPORTANT: Prior to assembly, fresh air inlets shall be cut into the bottom of the Isopanel-Center/ End components that are located at the center and ends of the unit.

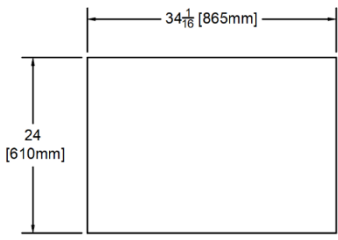
Each inlet(s) shall provide a minimum opening area of 32 sq.in. (8" x 4")

Airflow to these inlets shall not be obstructed by finish material or by placement against a wall or similar neighboring construction.

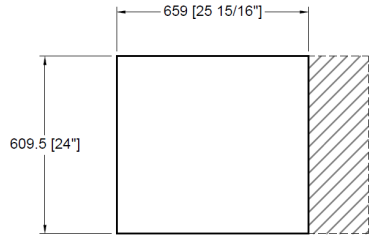


Completed Assembly (LFT-60)

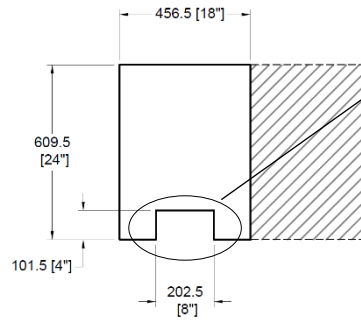
60" Linear Firetable (LFT-60) Cutsheet (cuts applied in field)



Isopanel
Qty:2



Isopanel-Short
Qty:2

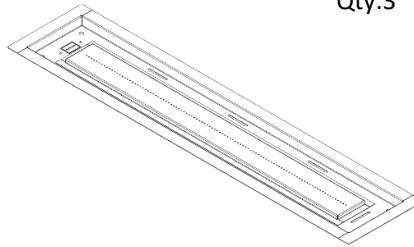


Isopanel-Center/ End
Qty:3

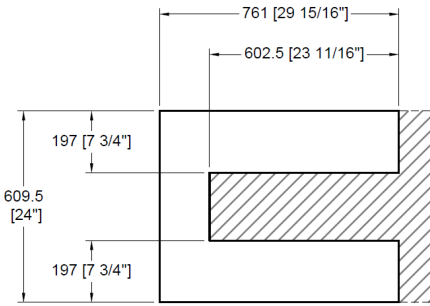
IMPORTANT: Prior to assembly, fresh air inlets shall be cut into the bottom of the Isopanel-Center/End components.

Each inlet shall provide a minimum opening area of 32 sq.in. (8" x 4")

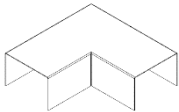
Airflow to these inlets shall not be obstructed by finish material or by placement against a wall or similar neighboring construction.



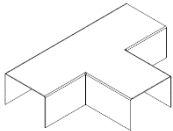
Isoflames 48" Linear Table Burner
Qty:1



Linear Table-Top
Qty:2

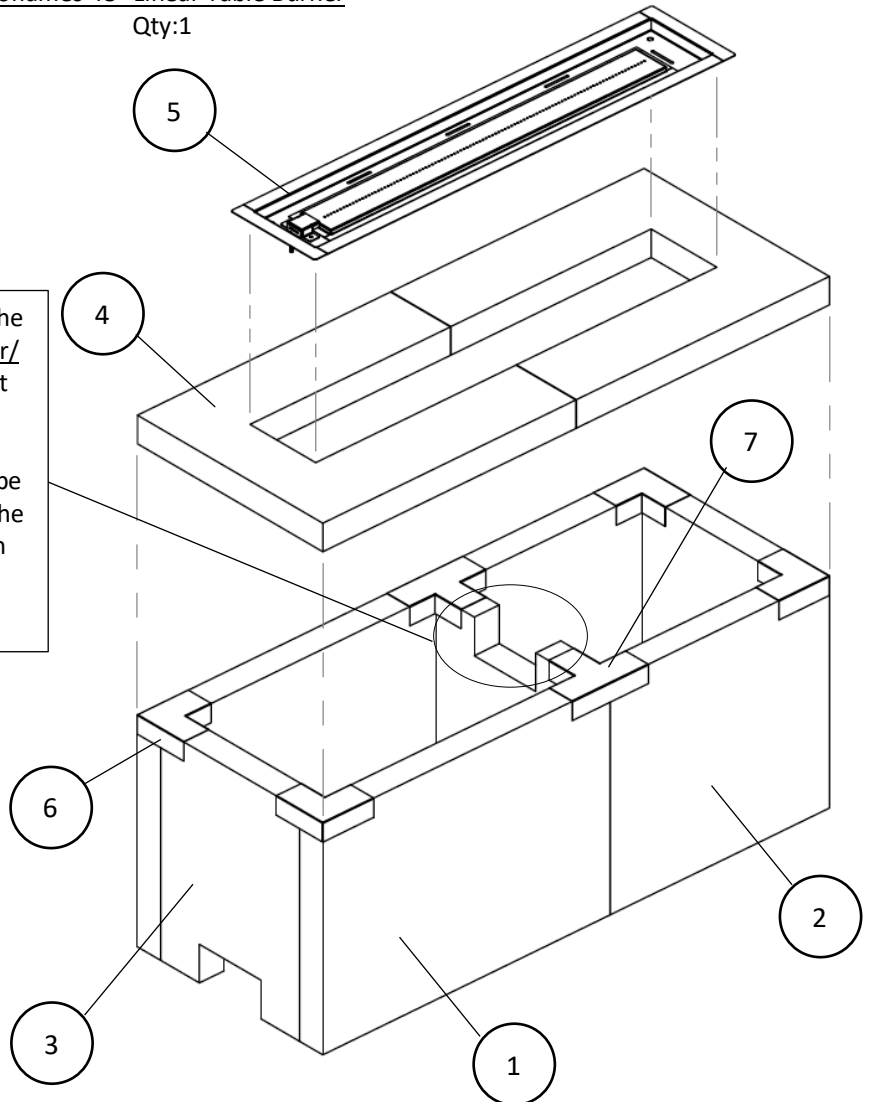


Isokern 90 deg. clip
Qty: 4



Isokern "T" clip
Qty: 2

IMPORTANT: The Isopanel-Center/End component that is in the center of the firetable must be installed with the fresh air inlet in the upright orientation.



Exploded Assembly (LFT-60)

60" Linear Fire-table (LFT-60)		
Item	Qty	Description
1	2	Isopanel
2	2	Isopanel-Short
3	3	Isopanel-Center/End
4	2	Linear Table-Top
5	1	Isoflames 48" Linear Table Burner
6	4	Isokern 90 deg. clip
7	2	Isokern "T" clip

Project Notes
