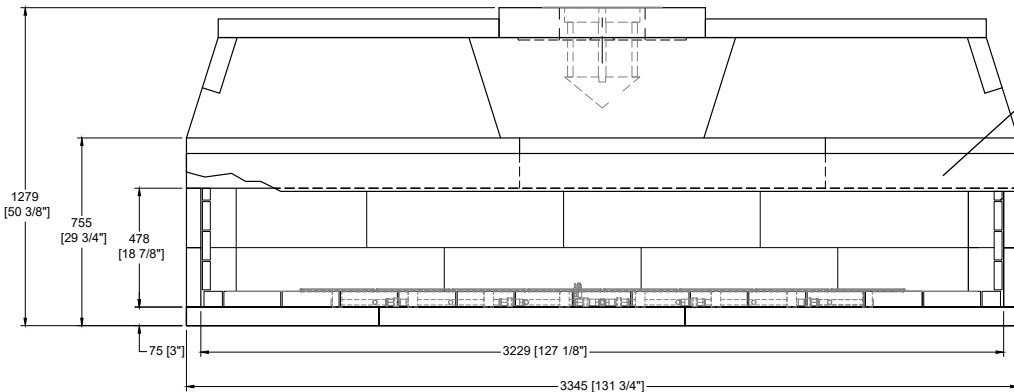
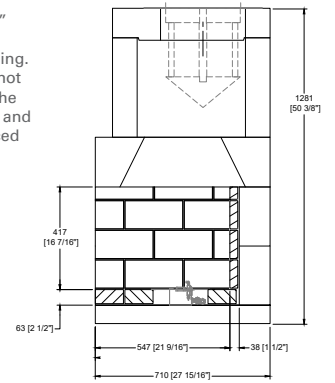


Project Name: _____ Location: _____

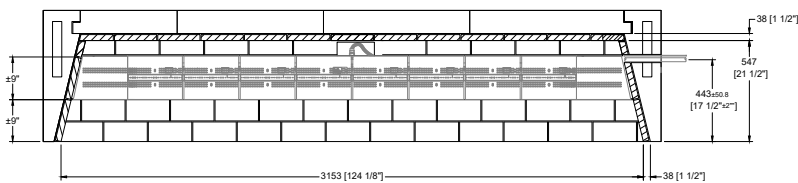


Front View

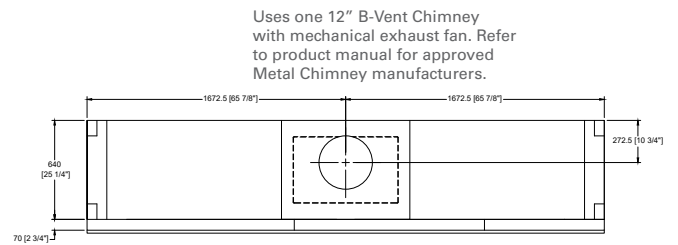
Steel angle:
6" x 6" x 1/2"
cut to span
firebox opening.
This item is not
included in the
components and
can be sourced
locally.



Side View



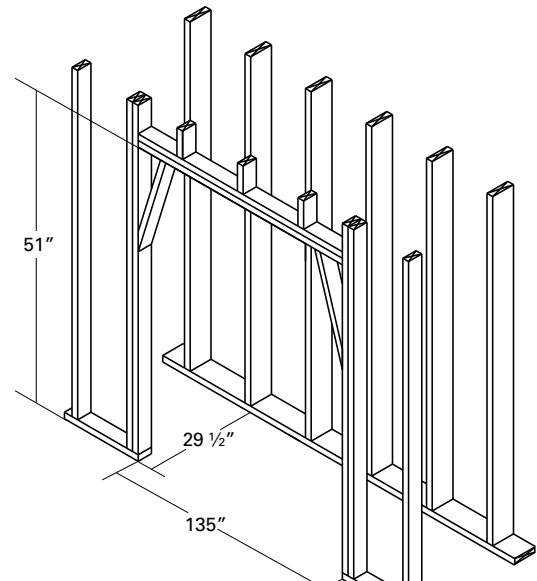
Plan View



Top View

Uses one 12" B-Vent Chimney
with mechanical exhaust fan. Refer
to product manual for approved
Metal Chimney manufacturers.

MINIMUM FRAMING DIMENSIONS



Framing dimensions
maintain 1 1/2"
clearance to
combustibles.
Refer to product
manual for further
installation
instructions.

FIREPLACE OPTIONS

- Hearth Height: _____
- Brick Type: _____
- Brick Color: _____
- Brick Pattern: _____
- Other Options: _____
- Gas Log Set: _____

Notes: _____

The total weight for the Maximus 120" linear fireplace is approximately 2,997 lbs. This dry weight includes fireplace pumice components only, additional weight from mortar, mechanical exhaust fan, glass media, firebrick and chimney not included.