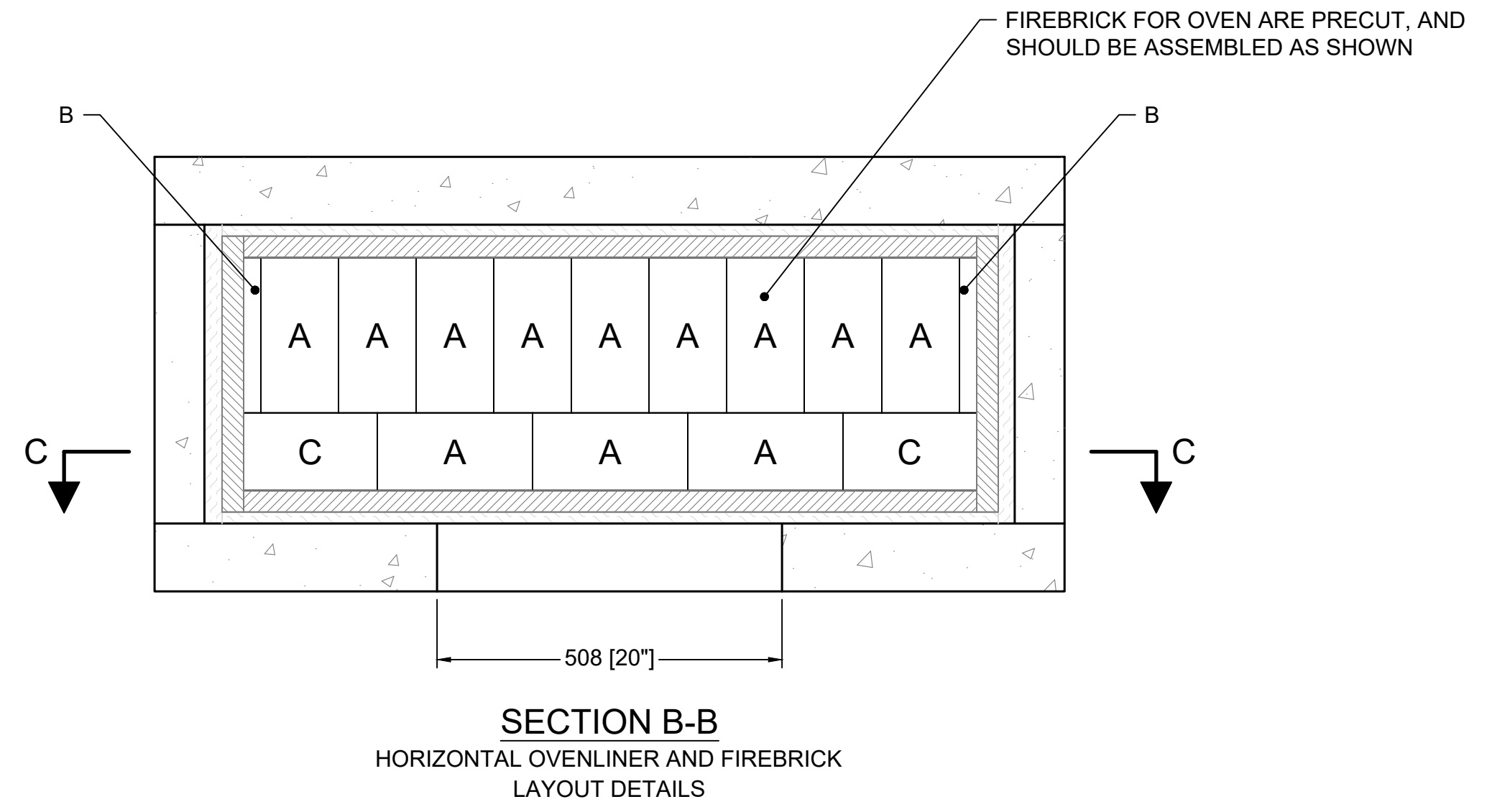
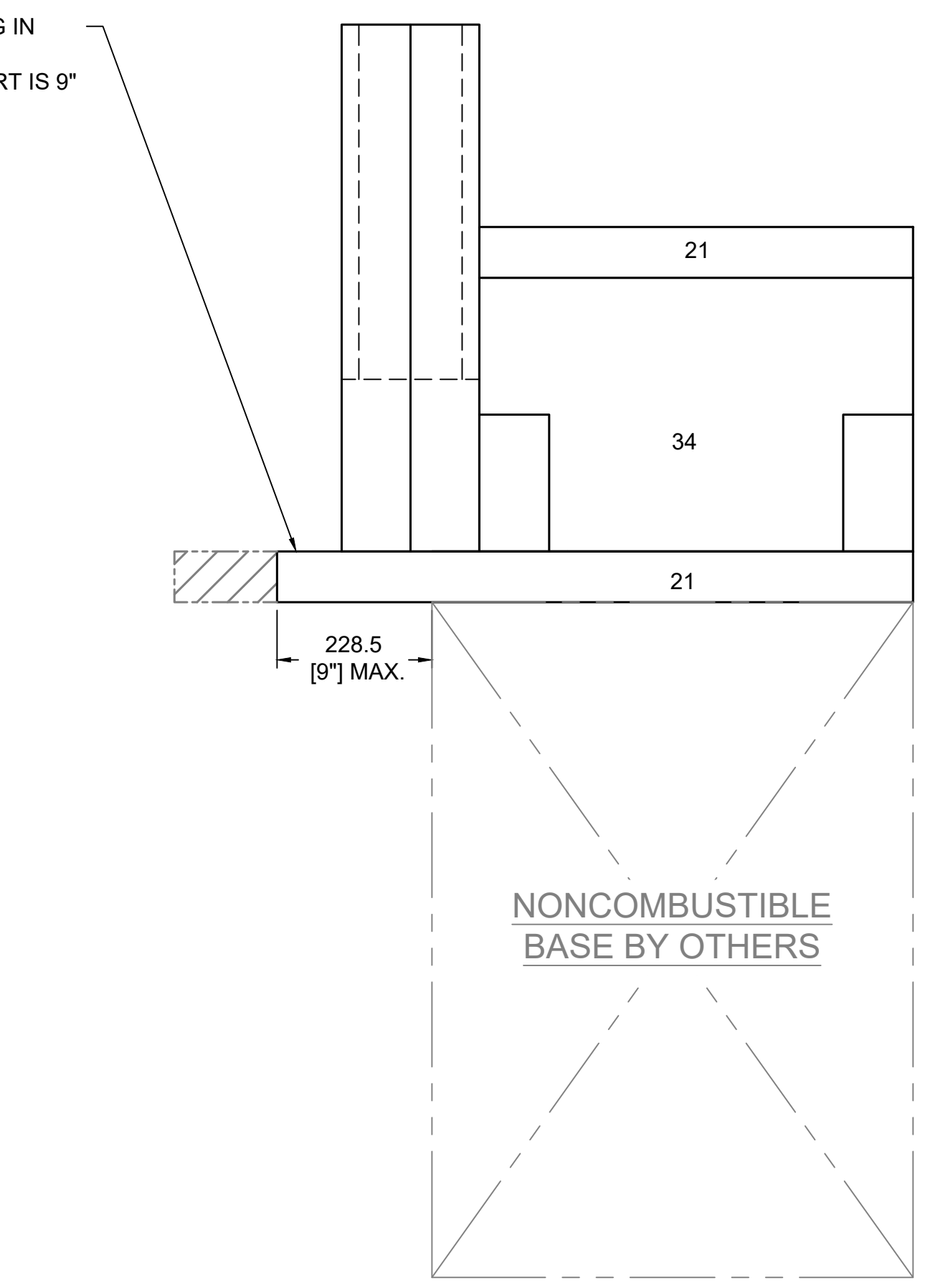
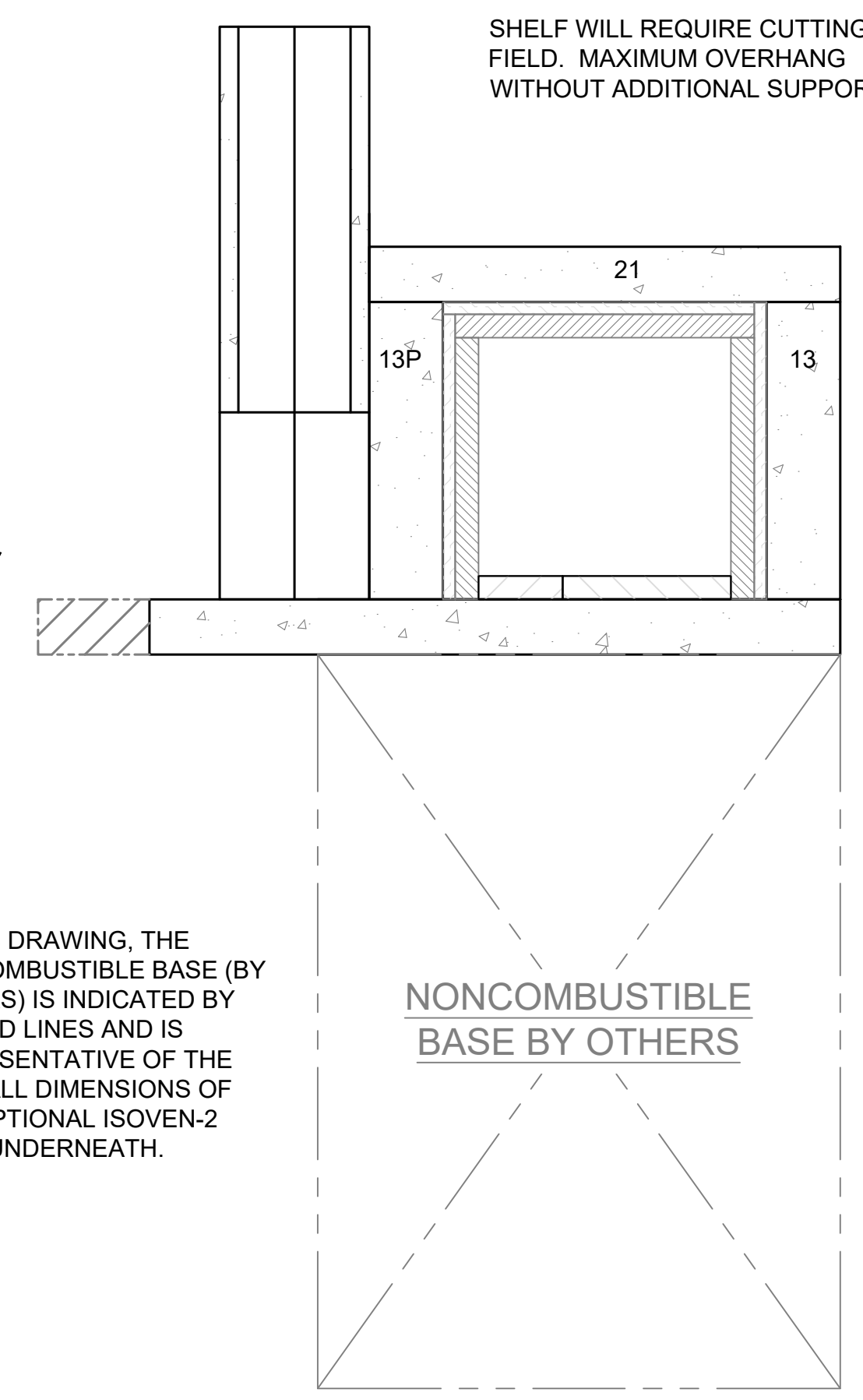
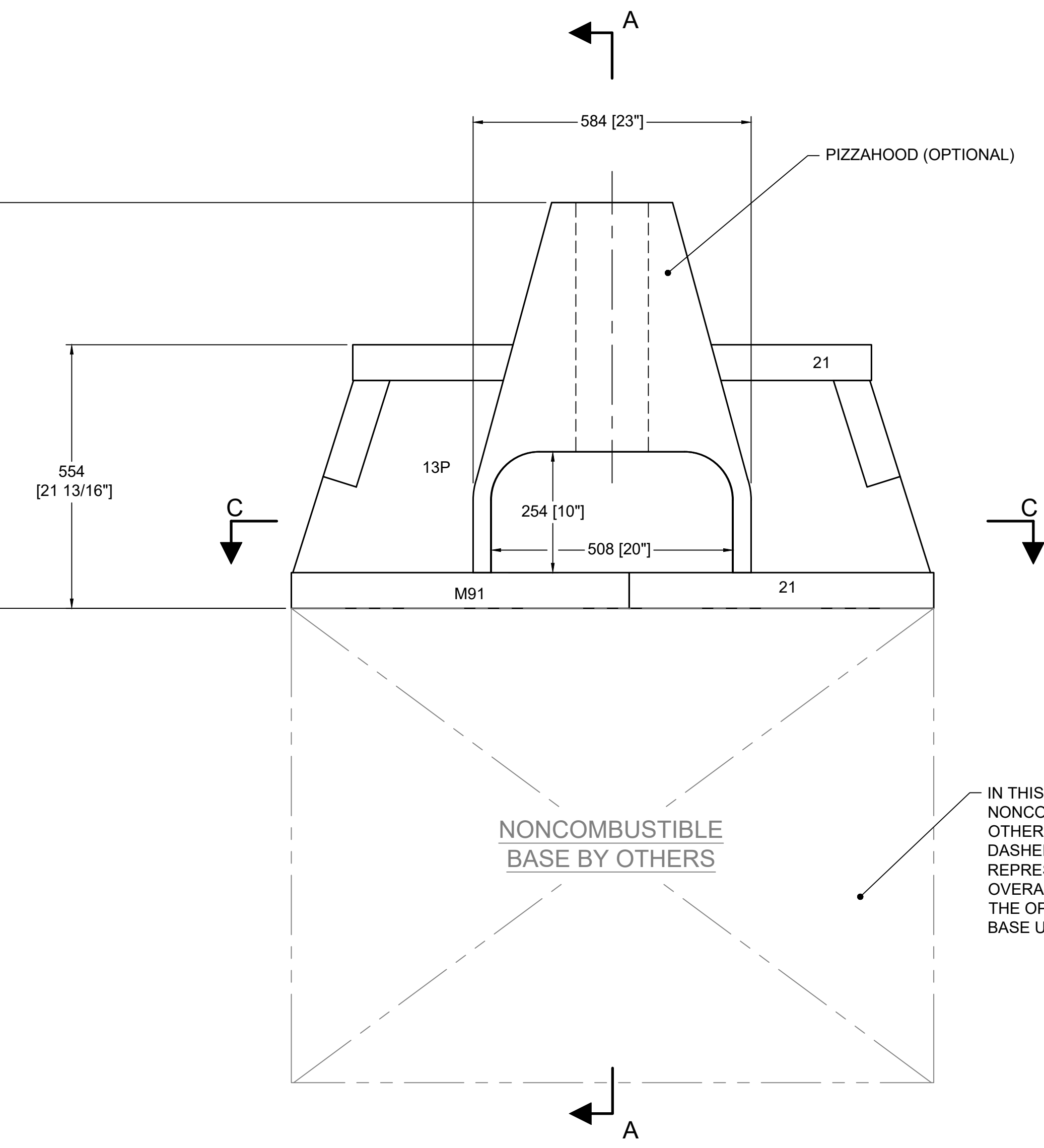
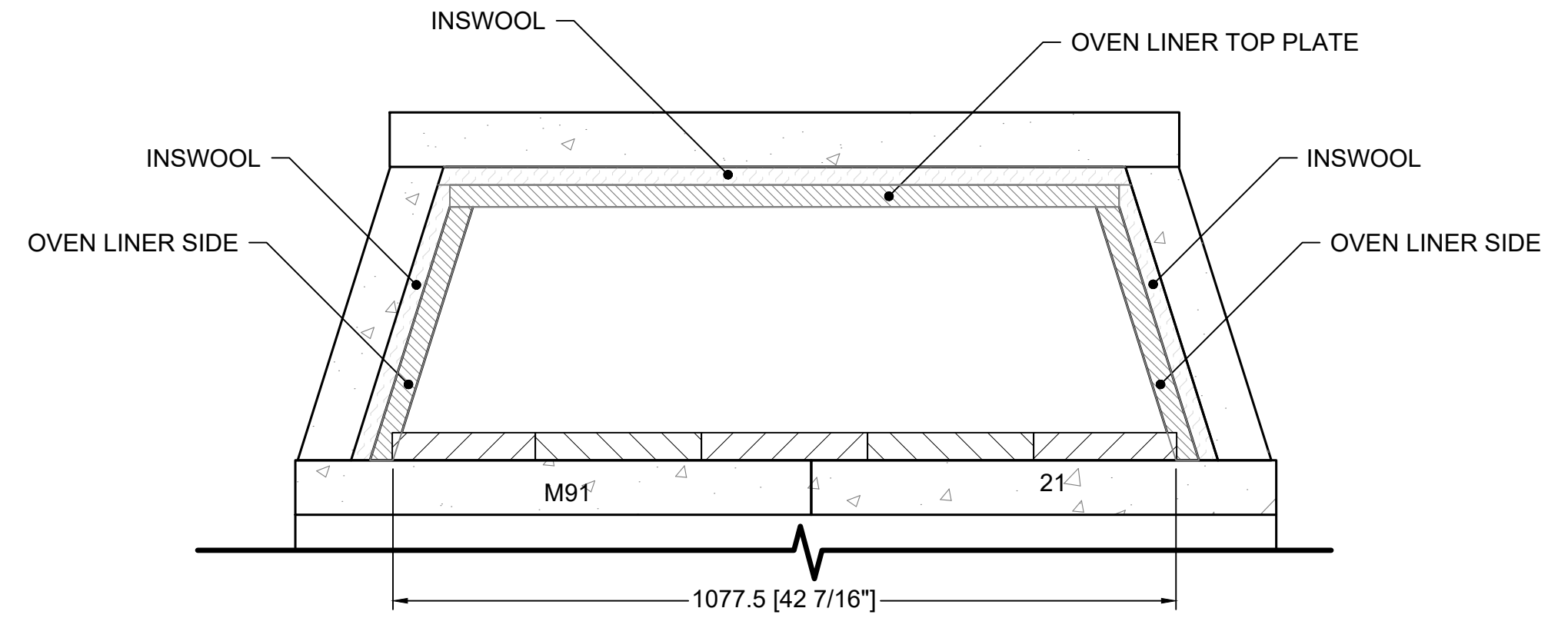


| FIREBRICK DETAILS | | | | |
|-------------------|--------|--------|----------|------|
| PART # | LENGTH | WIDTH | THCKNESS | QTY. |
| A | 9 1/2" | 4 1/2" | 1 1/4" | 12 |
| B | 9 1/2" | 1" | 1 1/4" | 2 |
| C | 7 3/4" | 5 1/2" | 1 1/4" | 2 |



TOP VIEW
 NOTE: SHELVES SHOWN AT MAXIMUM OVERHANG WITHOUT ADDITIONAL SUPPORT
 SHELVES REQUIRE CUTTING IN FIELD. MAXIMUM OVERHANG WITHOUT ADDITIONAL SUPPORT IS 9" PAST FRONT EDGE OF NONCOMBUSTIBLE BASE. IF A LONGER EXTENSION IS PREFERRED, ADDITIONAL SUPPORT IS NECESSARY.

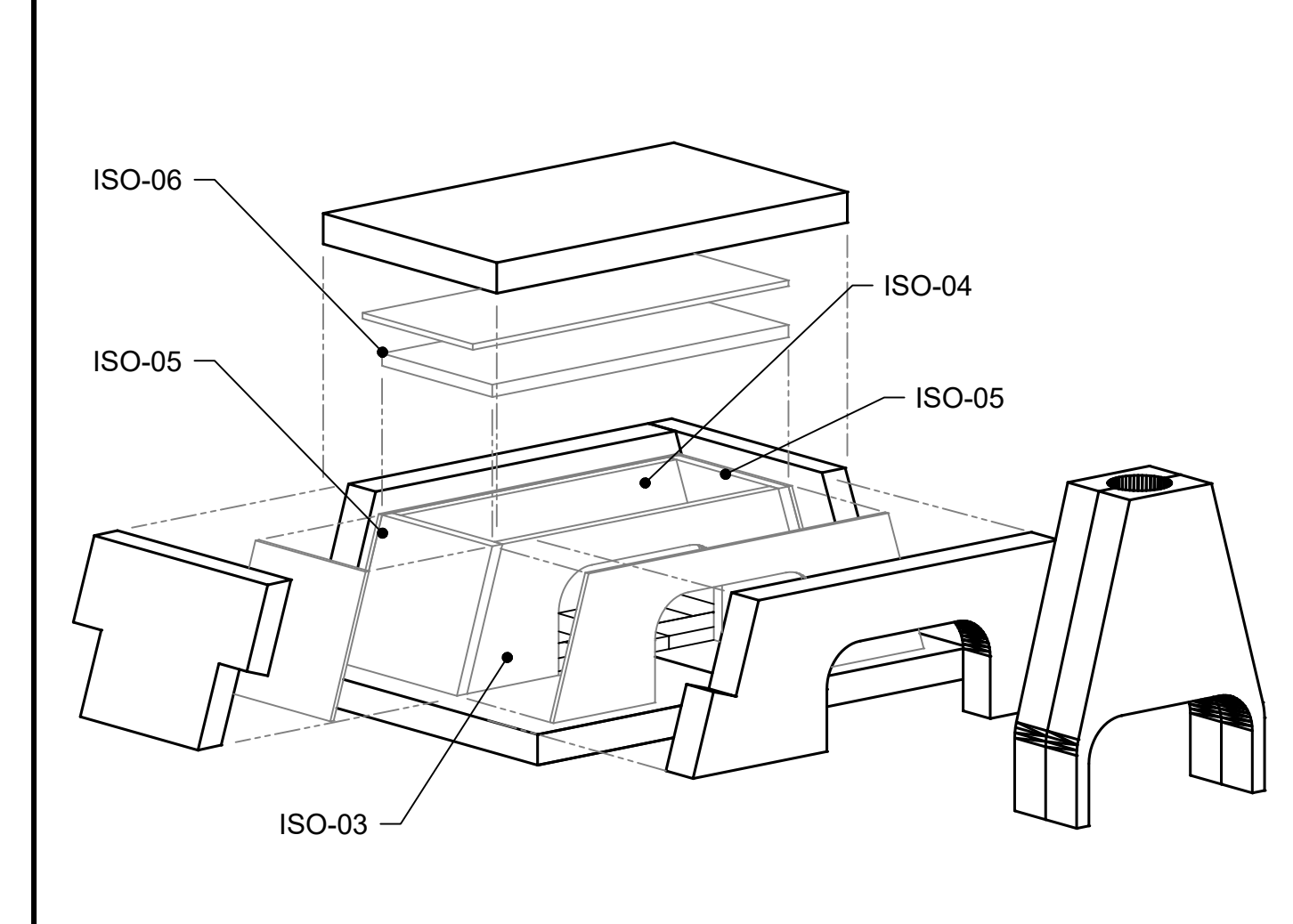


IN THIS DRAWING, THE NONCOMBUSTIBLE BASE (BY OTHERS) IS INDICATED BY DASHED LINES AND IS REPRESENTATIVE OF THE OVERALL DIMENSIONS OF THE OPTIONAL ISOVEN-2 BASE UNDERNEATH.

| COMPONENT LIST | | |
|----------------|-------------------------------|------|
| PART # | DESCRIPTION | QTY. |
| 13 | SMOKE DOME (LARGE) | 1 |
| 13P | ISO'ven SMOKE DOME | 1 |
| 34 | TOP SLOPING | 2 |
| 21 | BASE PLATE-36 | 2 |
| M91 | MAGNUM BASE PLATE-36 | 1 |
| ISO-03 | ISO'ven LINER; FRONT | 1 |
| ISO-04 | ISO'ven LINER; REAR | 1 |
| ISO-05 | ISO'ven LINER; SIDES | 2 |
| ISO-06 | ISO'ven LINER; TOP | 1 |
| PIZZAHOOD | ISO'ven CHIMNEY HOOD | 1 |
| FIREBRICK KIT | ISO'ven FIREBRICK KIT | 1 |
| INSWOOL | INSWOOL CERAMIC FIBER BLANKET | N/A |

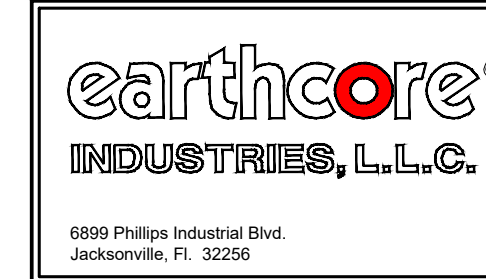
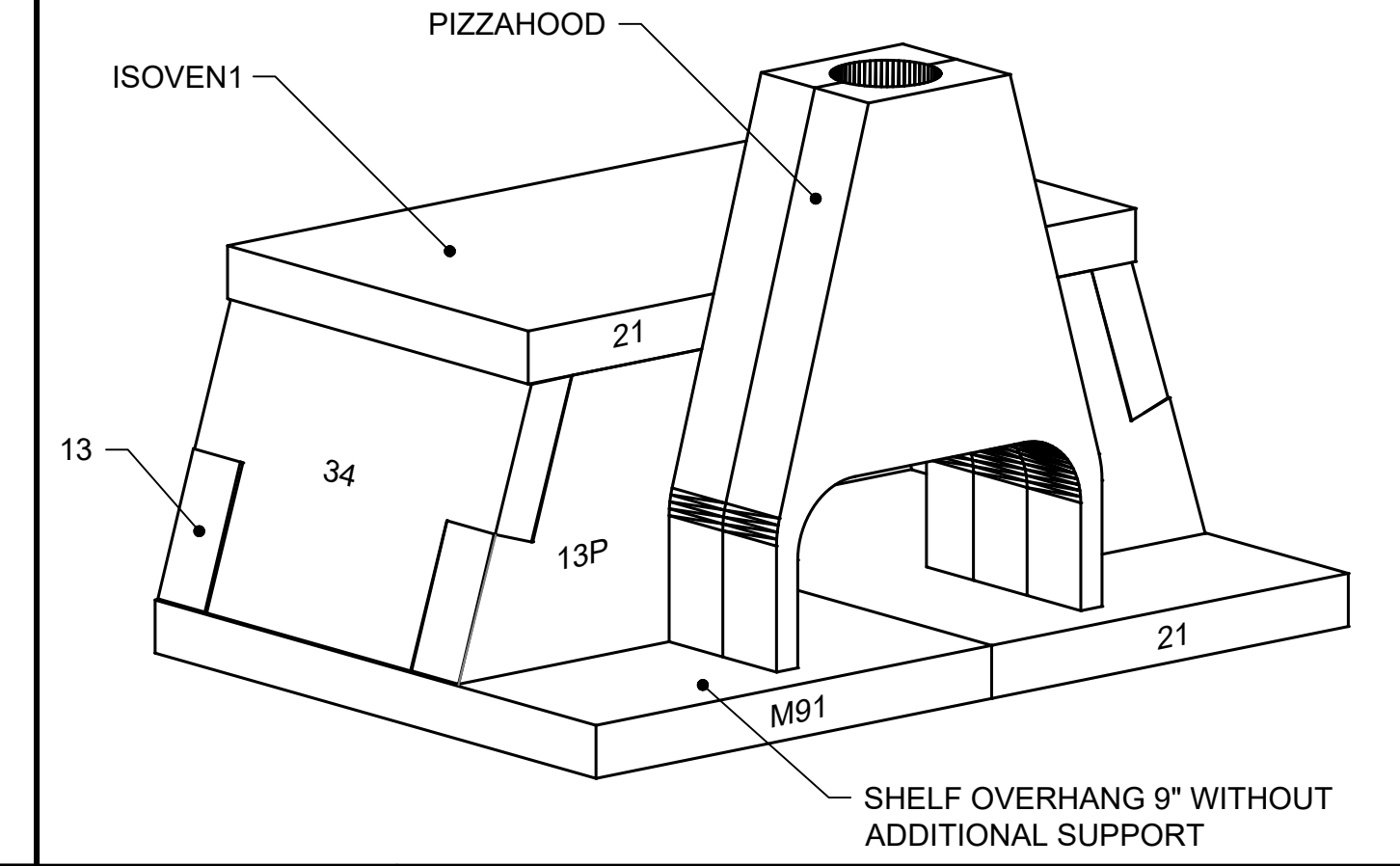
- GENERAL NOTES**
1. THE ISO'VEN WOOD FIRED OVEN IS INTENDED TO BURN SOLID WOOD FUEL. A GAS STARTER OPTION IS AVAILABLE.
 2. THIS WOOD FIRED OVEN IS NOT DESIGNED TO SIT DIRECTLY ON A COMBUSTIBLE FLOOR SYSTEM.
 3. THIS WOOD FIRED OVEN IS NOT INTENDED FOR INDOOR USE. ISO'VEN WOOD FIRED OVENS ARE INTENDED FOR USE IN AN OUTDOOR SITUATION WHERE A TRADITIONAL, MASONRY PIZZA/BREAD OVEN WOULD BE UTILIZED.
 4. THE USE OF A VENTING SYSTEM IS OPTIONAL WITH THE ISO'VEN. THE ISO'VEN IS DESIGNED TO VENT FROM THE FRONT OF THE OVEN, HOWEVER, THE INSTALLATION OF A FRONT ANCHORED VENT IS ACCEPTABLE.
 5. OVER-FIRING, ABUSIVE BURNING OR MISTREATMENT WILL VOID ANY CLAIMS (EG. BURNING CONSTRUCTION DEBRIS OR OTHER HIGHLY FLAMMABLE MATERIAL; TOSSING, KICKING OR OTHERWISE FORCING LOGS INTO THE OVEN).
 6. ISO'VEN WOOD FIRED OVENS ARE UNIQUE OUTDOOR WOOD FIRED OVENS.
 7. ENSURE THAT THE ISO'VEN WOOD FIRED OVEN IS INSTALLED PER INSTALLATION MANUAL SPECIFICATIONS.
 8. DRAWINGS ARE FOR DESIGN PURPOSES ONLY AND ARE THE SOLE PROPERTY OF EARTH CORE INDUSTRIES. ANY REPRODUCTION OR UNAUTHORIZED USE IS STRICTLY PROHIBITED.
 9. EARTH CORE/ ISOKERN OR ANY DIVISION THEREOF SHALL NOT BE HELD LIABLE FOR ANY INCIDENTAL OR CONSEQUENTIAL DAMAGES OR EXPENSES ARISING OUT OF THE USE OF THE FIREPLACES OR CHIMNEY SYSTEMS.
 10. ALWAYS CHECK LOCAL BUILDING CODES GOVERNING FIREPLACES AND FIREPLACE INSTALLATIONS.

EXPLODED ASSEMBLY (N.T.S)



IMPORTANT: INSWOOL IS REQUIRED BETWEEN ISOKERN COMPONENTS AND OVEN LINER. DO NOT MORTAR OVEN LINER OR INSWOOL TO ISOKERN MATERIAL!!!

COMPLETED ASSEMBLY (N.T.S)



| | | | |
|--|------------------------|--|--|
| UNLESS OTHERWISE STATED, ALL DIMENSIONS ARE IN MILLIMETERS | | PROJECT: ISO'VEN 1 W/ PIZZAHOOD | |
| UNSPECIFIED TOLERANCES | THIRD ANGLE PROJECTION | DESCRIPTION: TABLE TOP PIZZA OVEN W/ CHIMNEY HOOD | |
| ANG. X ± | | MATERIAL: E.C. PUMICE MIXTURE | |
| LIN. X ± | | DRAWN: K.B.H DATE: 11/16/2020 | |
| X ± | | SIZE: D SCALE: 1-1/2"=1'-0" DRAWING #: ISOVEN-1 | |
| JXX ± | | APPROVED: DATE: DO NOT SCALE SHEET # 1 OF 1 | |