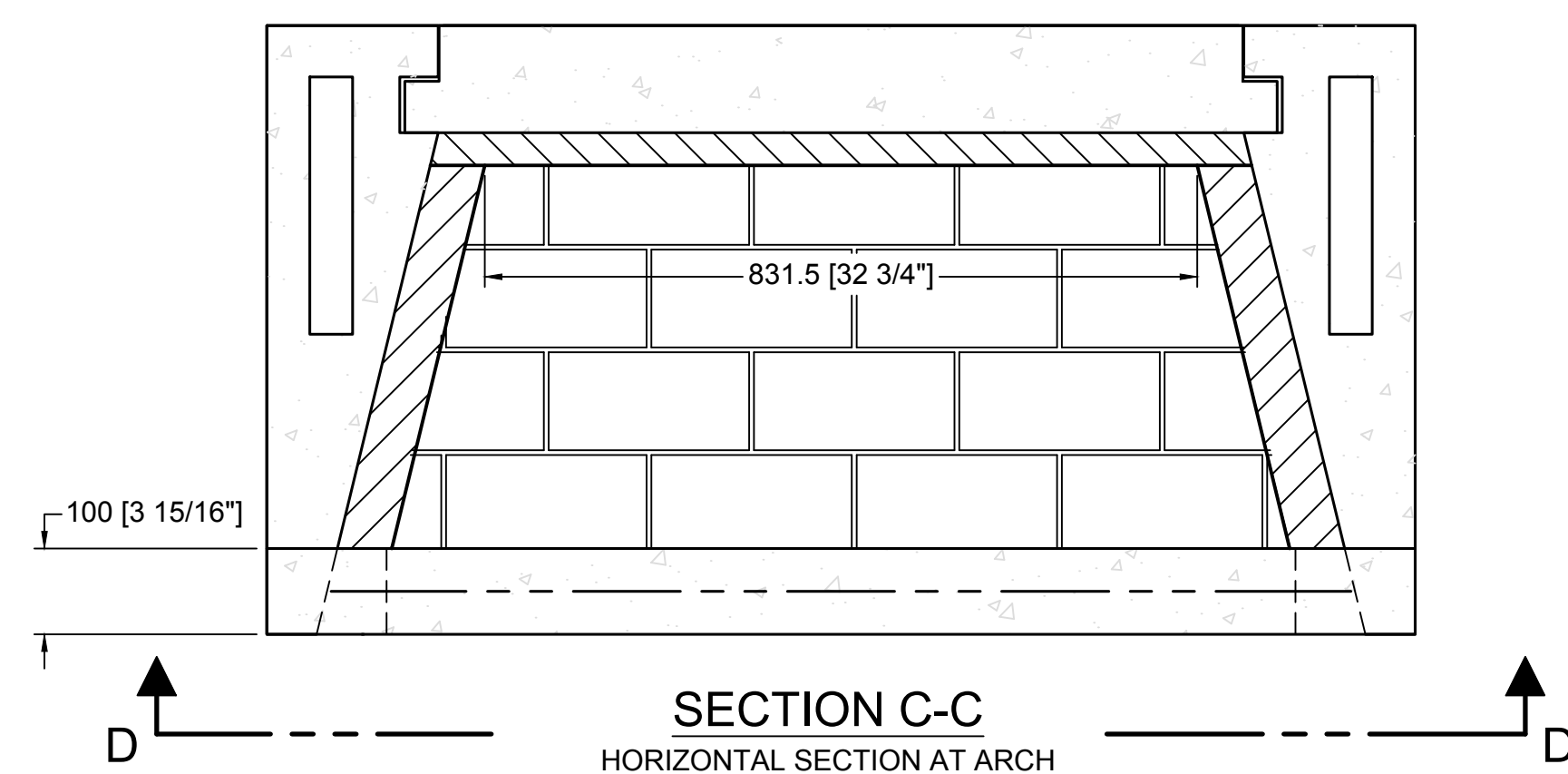
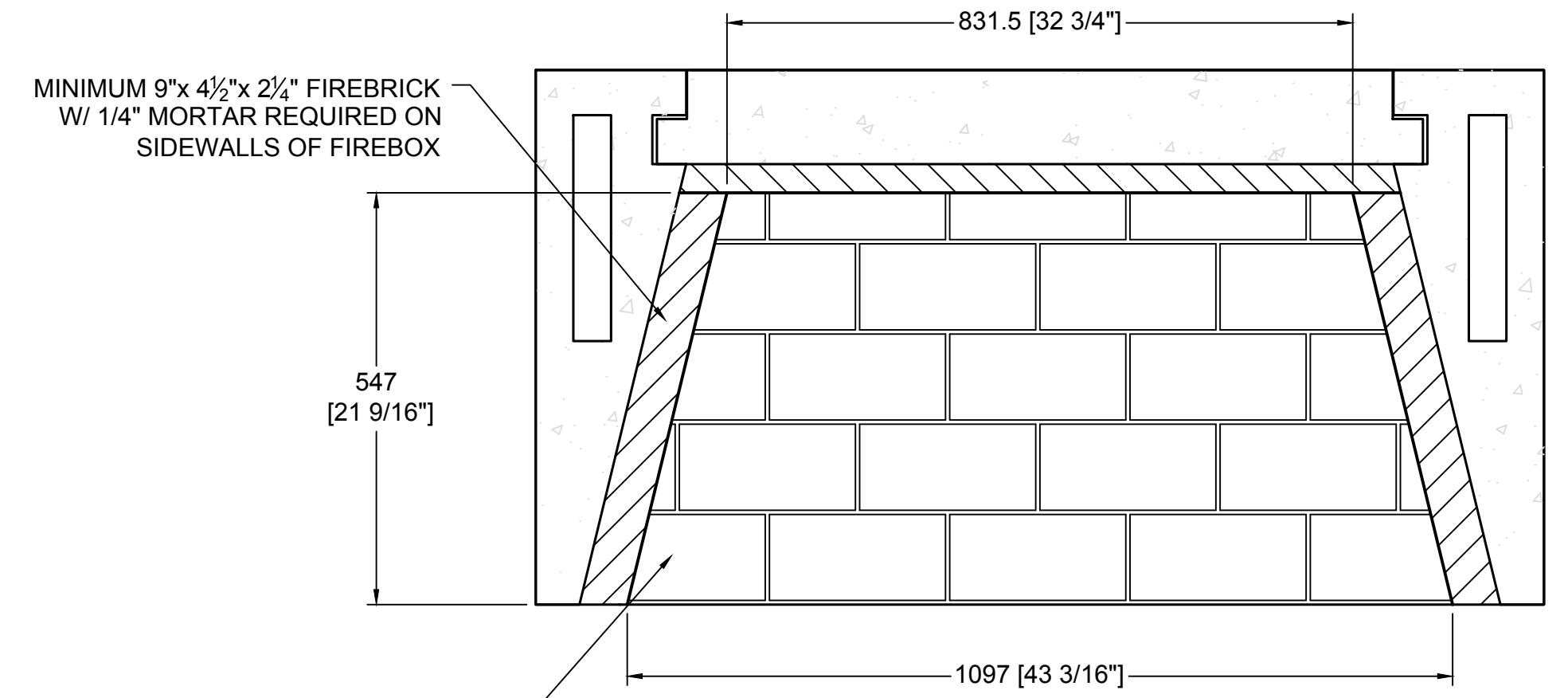


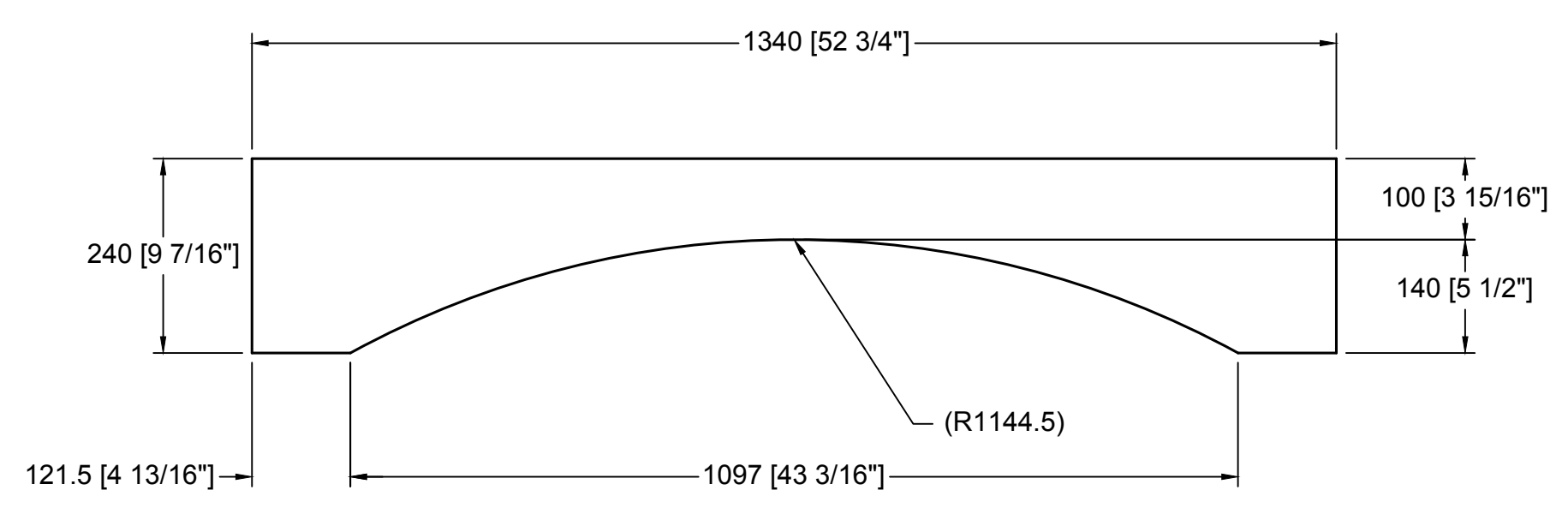
TOP VIEW



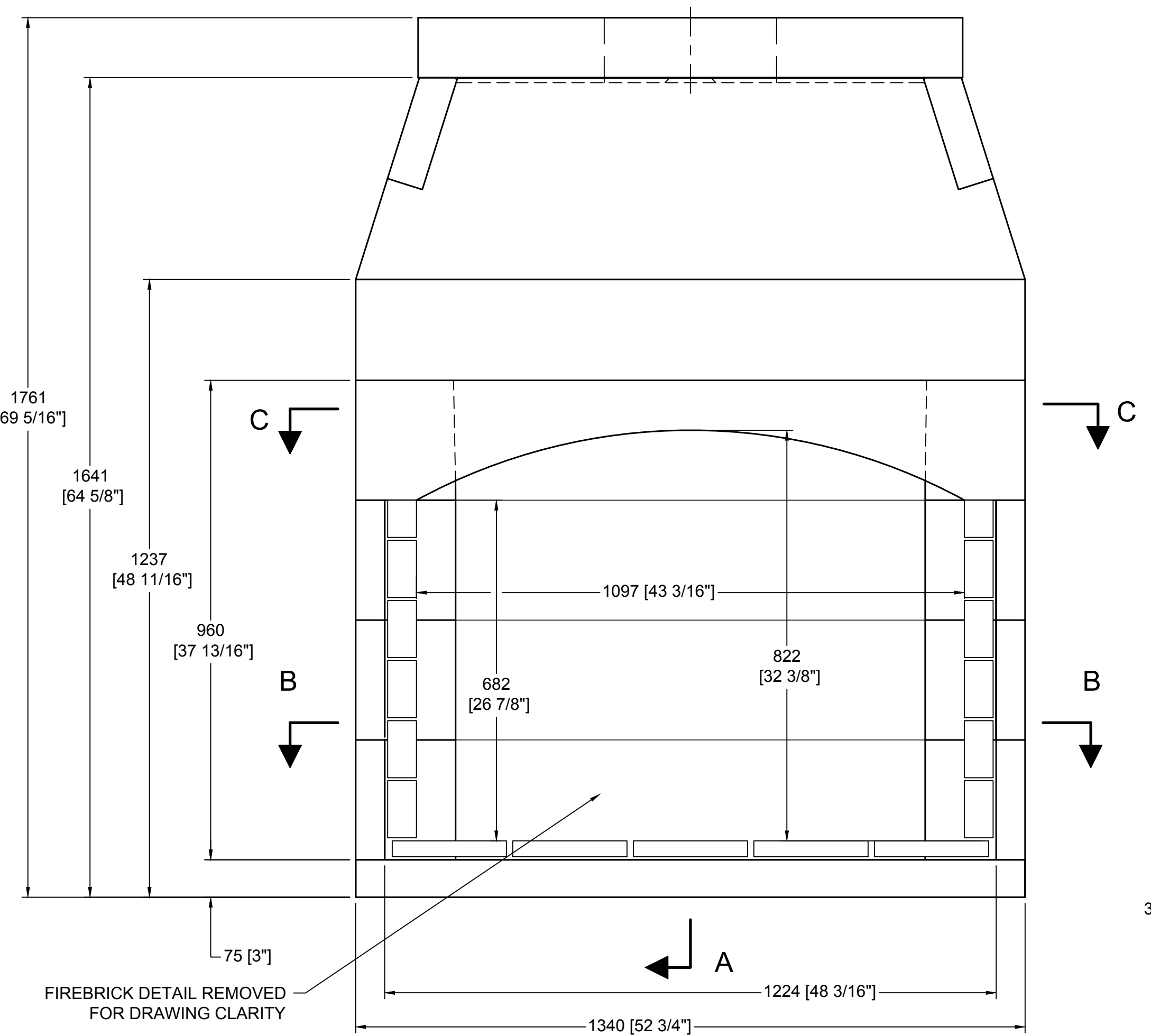
SECTION C-C
HORIZONTAL SECTION AT ARCH



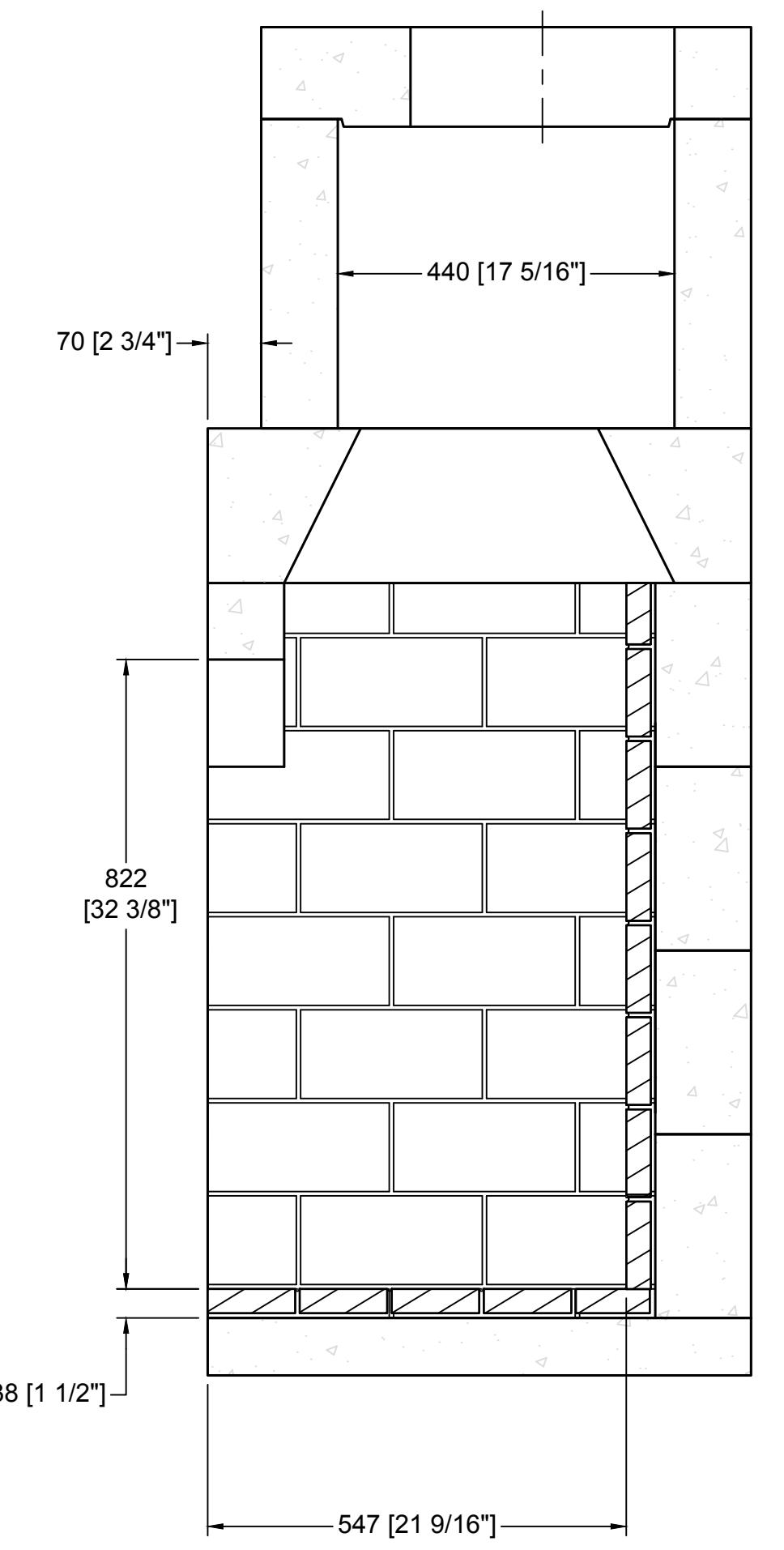
SECTION B-B
HORIZONTAL FIREBRICK DETAIL



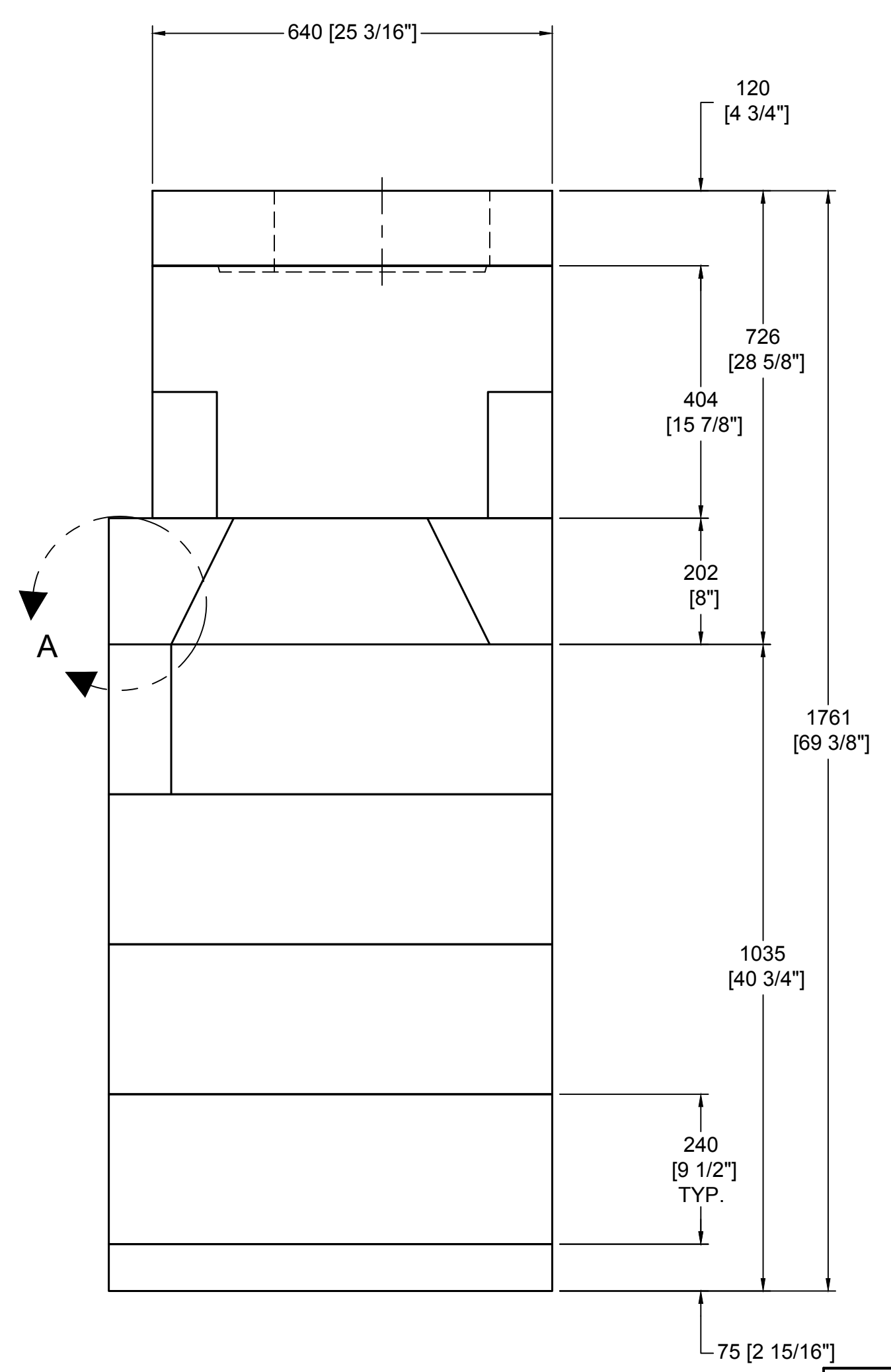
VIEW D-D
ARCH DIMENSIONS/ DETAILS
ISOKERN MATERIAL THICKNESS: 100mm (3-15/16\"/>



FRONT VIEW



SECTION A-A
VERTICAL FIREBRICK DETAIL



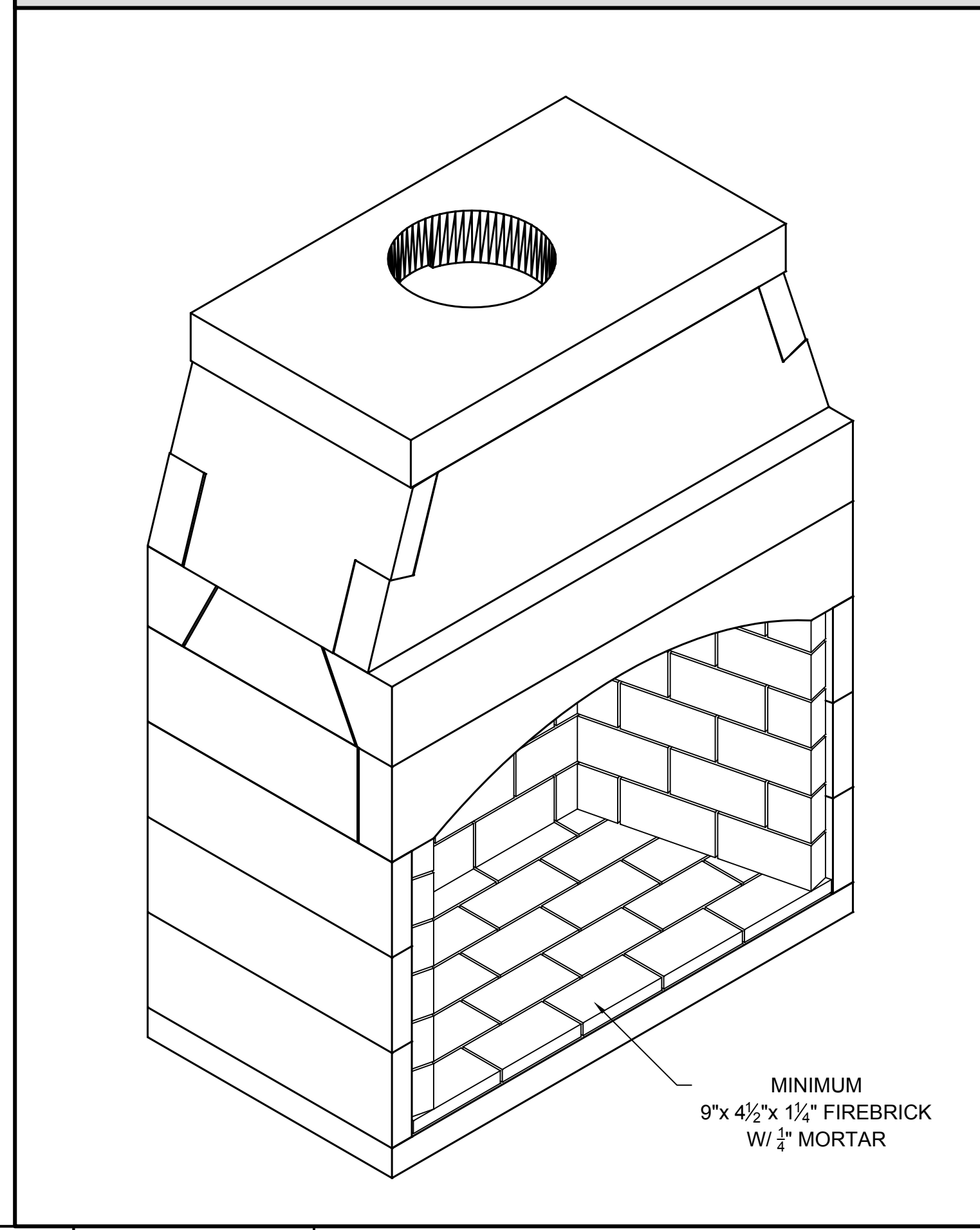
RIGHT-SIDE VIEW

COMPONENT LIST		
PART #	DESCRIPTION	QTY.
13	SMOKE DOME (MIDDLE)	2
34	TOP SLOPING	2
M48A-KIT	ARCH-48\"(MAG)	1
M67	BACKWALL-48\" (MAG)	4
70	DAMPER BEAM-48\"	2
81A	TOP PLATE W/345mm HOLE (MAG)	1
M90	SIDEWALL (MAG)	6
M93	BASEPLATE-48\" (MAG)	1
M94L/R	DAMPER END L/R (MAG)	1 EACH

GENERAL NOTES

1. DRAWINGS ARE FOR DESIGN PURPOSES ONLY AND ARE THE SOLE PROPERTY OF EARTHCORE INDUSTRIES. ANY REPRODUCTION OR UNAUTHORIZED USE IS STRICTLY PROHIBITED.
2. EARTHCORE/ ISOKERN OR ANY DIVISION THEREOF SHALL NOT BE HELD LIABLE FOR ANY INCIDENTAL OR CONSEQUENTIAL DAMAGES OR EXPENSES ARISING OUT OF THE USE OF THE FIREPLACES OR CHIMNEY SYSTEMS.
3. ALWAYS CHECK LOCAL BUILDING CODES GOVERNING FIREPLACES AND FIREPLACE INSTALLATIONS.
4. 48\" MAGNUM FIREPLACE SHOWN WITH OPTIONAL ARCH KIT (PURCHASED SEPARATELY)

COMPONENT CALLOUT (N.T.S)



		PROJECT: 48\" MAGNUM W/ ARCH (82o48)	
UNLESS OTHERWISE STATED, ALL DIMENSIONS ARE IN MILLIMETERS		DESCRIPTION: FIREPLACE CONSTRUCTION DOCUMENT	
MATERIAL: E.C. PLUMICE MIXTURE		DATE: 2/22/2018	
DRAWN: K.B.H.		SCALE: 1-1/2\"=1'-0\"	
APPROVED:		DRAWING #: 82o48ARCH	
SHEET # 1 OF 1		REV: B	