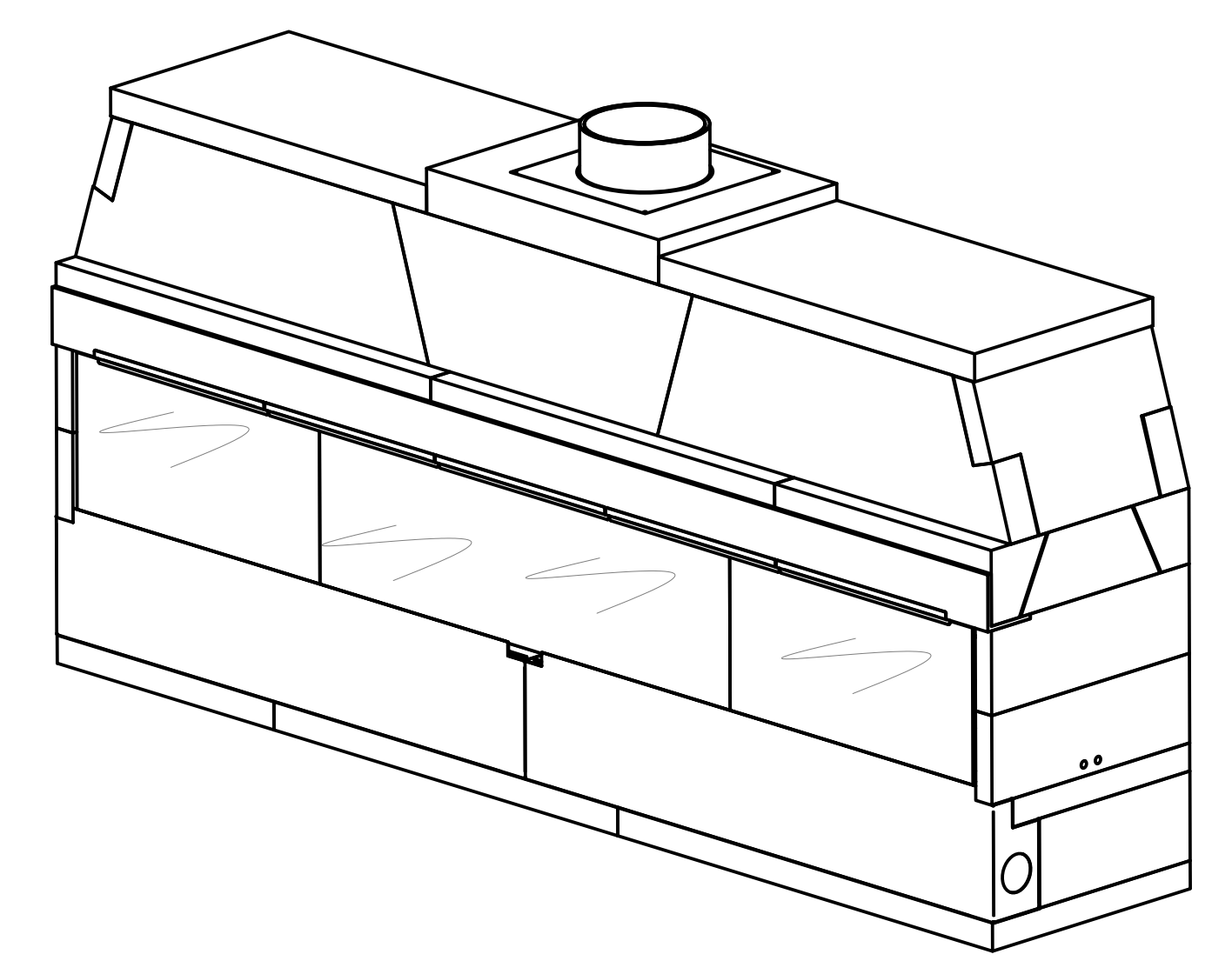


PARTS LIST		
PART NUMBER	DESCRIPTION	QTY
16	SMOKE DOME-60/72"	4
22	BASEPLATE-42"	1
23	BASEPLATE-46"	1
34	SMOKE DOME SIDE	2
69	DAMPER BEAM-42"	2
70	DAMPER BEAM-46/48"	2
71	BACKWALL-60"	3
73	BACKWALL-72"	3
74	DAMPER BEAM-60"	2
77	TOP PLATE-36/42"	1
116	SMOKE DOME-120"	2
123	TOP PLATE-82L120	2
125	BASE PLATE-GFK120	1
162	BACK WALL-84/96/120"	6
M90	MAGNUM SIDEWALL	4
M90B	GLASS FRONT KIT SIDEWALL	2
M92	MAGNUM BASE PLATE-42"	1
M93	MAGNUM BASE PLATE-48"	1
M94L	MAGNUM DAMPER BLOCK; LEFT	1
M94R	MAGNUM DAMPER BLOCK-RIGHT	1
M96	MAGNUM BASE PLATE-60"	1
E-ACB-C	AIR COLLECTOR BOX C	2
E-TG2	TOP GLASS BRACKET ASSEMBLY	5
CG4	NEOCERAM GLASS-GFK120	1
ISF96LB	96" LINEAR BURNER ASSEMBLY	1
12MDD	METAL- FAB 12" B-VENT DOWN DRAFT DIVERTER	1
OAK12NG	4" COOLING AIR KIT	2
302.0100.1200	ADC100 W/ PDS	1
216.0200.1212	ENERVEX 12" MFD FOR RS014	1
101.0699.1200	ENERVEX RS014	1
N/A	6"x36"x1/2" STEEL ANGLE (NOT PROVIDED BY EARTHCORE, MUST SOURCE LOCALLY)	1

- GENERAL NOTES:**
1. THE ISOKERN LINEAR FIREPLACE MODELS ARE TOP-VENTED, GAS ONLY FIREPLACES THAT ARE LISTED FOR USE ONLY WITH THE ISOKERN MODULAR BURNER SYSTEM AS SHOWN IN THESE DRAWINGS AND LISTED IN THE INSTALLATION MANUAL. THESE GAS APPLIANCES COME WITH A GAS CONTROL VALVE ASSEMBLY THAT INCLUDES AN AUTOMATIC DRAFT AND SAFETY SYSTEM.
 2. THIS APPLIANCE IS ONLY FOR USE WITH THE TYPE OF GAS INDICATED ON THE RATING PLATE AND MAY BE INSTALLED IN THE AFTER-MARKET, PERMANENTLY LOCATED, MANUFACTURED HOME (USA ONLY) OR MOBILE HOME, WHERE NOT PROHIBITED BY LOCAL CODES. SEE OWNER'S MANUAL FOR DETAILS.
 3. THE EXHAUST FLUE GASES ARE TO BE VENTED THROUGH THE TOP OF THE UNIT WITH 12" METAL-FAB UL LISTED B-VENT PIPING WITH DOWN-DRAFT DIVERTER. THIS TWELVE INCH (12") DIAMETER, DOUBLE WALL B-VENTING SYSTEM ARE NOT SUPPLIED BUT ARE REQUIRED FOR PROPER OPERATION OF ALL LINEAR FIREPLACE MODELS.
 4. GLASS FRONT KIT ASSEMBLY SHALL BE INSTALLED AS DETAILED IN THE INSTRUCTION MANUAL.
 5. NOT REPRESENTED ON THIS DRAWING, BUT MANDATORY FOR OPERATION ARE (2X) Ø4" COOLING AIR KITS. THESE SHALL ORIGINATE FROM OUTSIDE AIR ARE UTILIZED TO PROVIDE COOLING AIR TO THE GLASS.
 6. DRAWINGS ARE FOR DESIGN PURPOSES ONLY AND ARE THE SOLE PROPERTY OF EARTHCORE INDUSTRIES. ANY REPRODUCTION OR UNAUTHORIZED USE IS STRICTLY PROHIBITED.
 7. EARTHCORE/ ISOKERN OR ANY DIVISION THEREOF SHALL NOT BE HELD LIABLE FOR ANY INCIDENTAL OR CONSEQUENTIAL DAMAGES OR EXPENSES ARISING OUT OF THE USE OF THE FIREPLACES OR CHIMNEY SYSTEMS.
 8. ALWAYS CHECK LOCAL BUILDING CODES GOVERNING FIREPLACES AND FIREPLACE INSTALLATIONS.



earthcore INDUSTRIES, L.L.C.

UNLESS OTHERWISE STATED, ALL DIMENSIONS ARE IN INCHES

PROJECT: 10' MAXIMUS LINEAR W/ GFK

DESCRIPTION: FIREPLACE CONSTRUCTION DOCUMENT

MATERIAL: E.C. PUMICE MIXTURE

DATE: 5/20/20

SCALE: 1"=1'-0"

DRAWING #: 82L120-GFK

APPROVED: K.B.H.

DATE: 5/20/20

SIZE: D

SCALE: 1"=1'-0"

DRAWING #: 82L120-GFK

REV: 01

DO NOT SCALE SHEET # OF