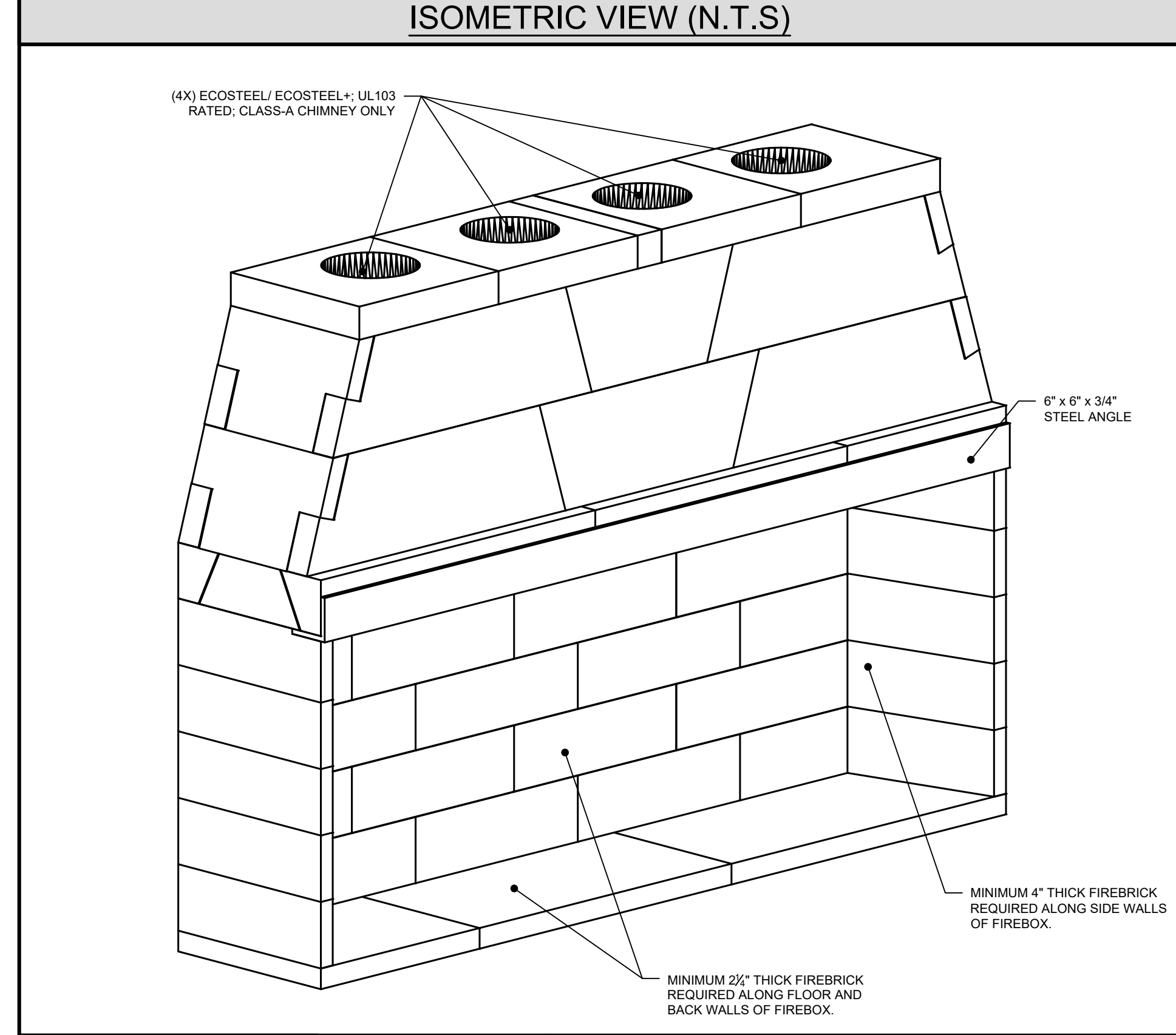
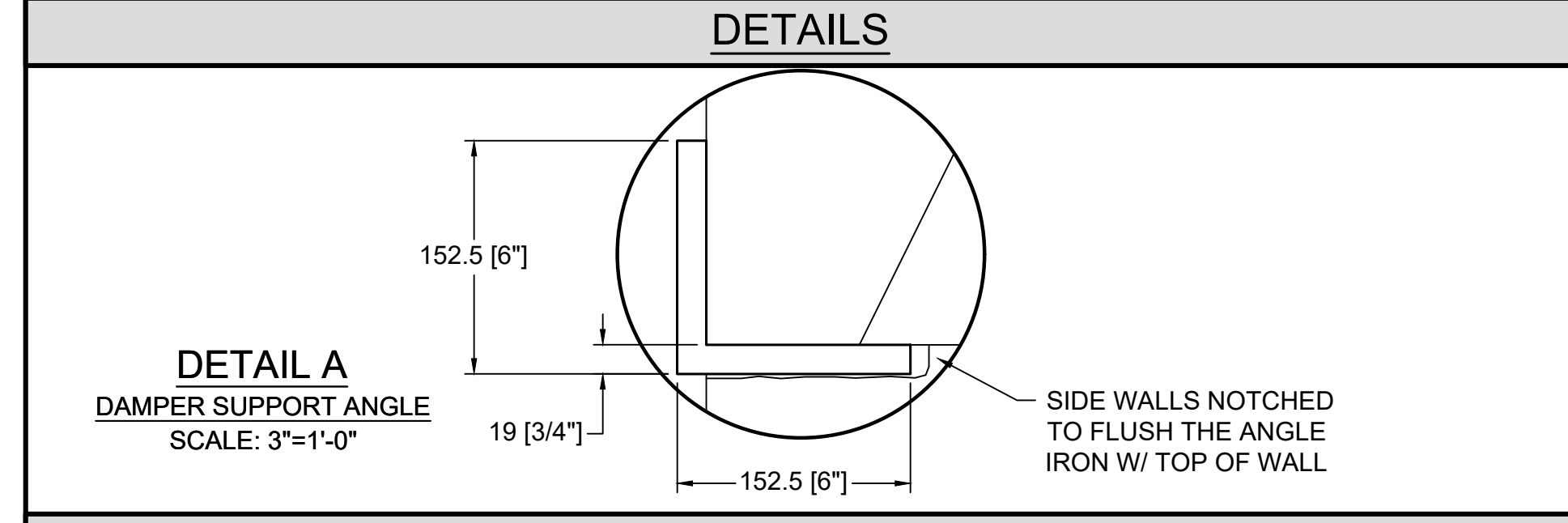


COMPONENT LIST		
NEW PART #	DESCRIPTION	QTY.
16	SMOKE DOME LARGE (80/72 MAGNUM)	8
115	SMOKE DOME, MIDDLE, SMALL (10' MAGNUM+)	2
116	SMOKE DOME, MIDDLE, LARGE (10' MAGNUM+)	2
34	TOP SLOPING	4
70	DAMPER BEAM-46/48"	2
71	BACK WALL (60 MAGNUM)	5
73	BACK WALL (72 MAGNUM)	5
162	BACKWALL, MIDDLE (7,8,10' MAGNUM+)	10
178	TOP PLATE FILLER (9,10' MAGNUM+)	1
79L	TOP PLATE W/ 345mm OUTLET, LEFT (60 MAGNUM)	2
79R	TOP PLATE W/ 345mm OUTLET, RIGHT (60 MAGNUM)	2
69	DAMPER BEAM -42"	2
74	DAMPER BEAM, END (60 MAGNUM, 10' MAGNUM+)	2
M90	MAGNUM SIDEWALL	10
M92	CUSTOM CUT BASE PLATE (42 MAGNUM)	1
M96	BASE PLATE (60 MAGNUM)	1
M93	BASE PLATE (48 MAGNUM)	1
M94L	MAGNUM DAMPER BLOCK, LEFT	1
M94R	MAGNUM DAMPER BLOCK, RIGHT	1
100	6" x 6" x 3/4" ANGLE IRON; NOT SUPPLIED; SEE NOTES	1

- GENERAL NOTES**
- FIREPLACE SHALL BE INSTALLED WITH THE MINIMUM CLEARANCES TO COMBUSTIBLES AS LISTED BELOW:
 - UNIT FRONT: 0"
 - SIDES AND REAR: 1 1/2"
 - COMBUSTIBLE SHEATHING ABOVE OPENING TOP: 24"
 - SHEATHING OR TRIM TO OPENING SIDES: 0"
 - MANTLE ABOVE OPENING: 24"
 - OPENING TO SIDEWALLS: 48"
 - HEARTH EXTENSION BEYOND FRONT: 30"
 - HEARTH EXTENSION BEYOND SIDES (FINISHED): 12"
 - COMBUSTIBLE FLOOR: N/A
 - INSULATION FROM FIREBOX (UNSHIELDED): 3"
 - THE FIREPLACE AND NONCOMBUSTIBLE HEARTH EXTENSION SHALL REST ATOP A NONCOMBUSTIBLE FLOORING SYSTEM WITH NO WOODEN UNDERPINNINGS.
 - USE SOLID WOOD FUEL OR LISTED DECORATIVE GAS VENTED OR UNVENTED APPLIANCE. USE ECOSTEEL OR ECOSTEEL+ METAL CHIMNEY ONLY.
 - TWO (2) 4" COMBUSTION AIR INLET KITS ARE REQUIRED BY EARTHCORE AND MAY HELP IMPROVE FIREPLACE OPERATION IN HOMES TIGHTLY SEALED AND WITH OTHER VENTILATING APPLIANCES INSTALLED. IF THE INSTALLATION IS TO BE LONGER THAN TEN FEET (10'), THEN THE SIX INCH (6") ADAPTER WILL BE NEEDED. THIS ADAPTER WILL ATTACH TO THE EXISTING FOUR INCH (4") SLEEVE OUTSIDE OF THE UNIT. THE SIX INCH ADAPTER INCLUDES AN ADDITIONAL TWENTY FEET OF 6" FLEX HOSE, FOR A MAXIMUM RUN OF THIRTY FEET (30').
 - DRAWINGS ARE FOR DESIGN PURPOSES ONLY AND ARE THE SOLE PROPERTY OF EARTHCORE INDUSTRIES. ANY REPRODUCTION OR UNAUTHORIZED USE IS STRICTLY PROHIBITED.
 - EARTHCORE/ ISOKERN OR ANY DIVISION THEREOF SHALL NOT BE HELD LIABLE FOR ANY INCIDENTAL OR CONSEQUENTIAL DAMAGES OR EXPENSES ARISING OUT OF THE USE OF THE FIREPLACES OR CHIMNEY SYSTEMS.
 - ALWAYS CHECK LOCAL BUILDING CODES GOVERNING FIREPLACES AND FIREPLACE INSTALLATIONS.



earthcore
INDUSTRIES, L.L.C.

6899 Philips Industrial Blvd
Jacksonville, FL 32256

UNLESS OTHERWISE STATED, ALL DIMENSIONS ARE IN MILLIMETERS

THIRD ANGLE PROJECTION

PROJECT: **10' MAGNUM+ (82120)**

DESCRIPTION: **FIREPLACE CONSTRUCTION DOCUMENT**

MATERIAL: **E.C. PUMICE MIXTURE**

DRAWN: **K.B.H.** DATE: **6/27/2019**

APPROVED: DATE:

SIZE: **D** SCALE: **1"=1'-0"** DRAWING #: **82120** REV: **B**

DO NOT SCALE SHEET # **06**