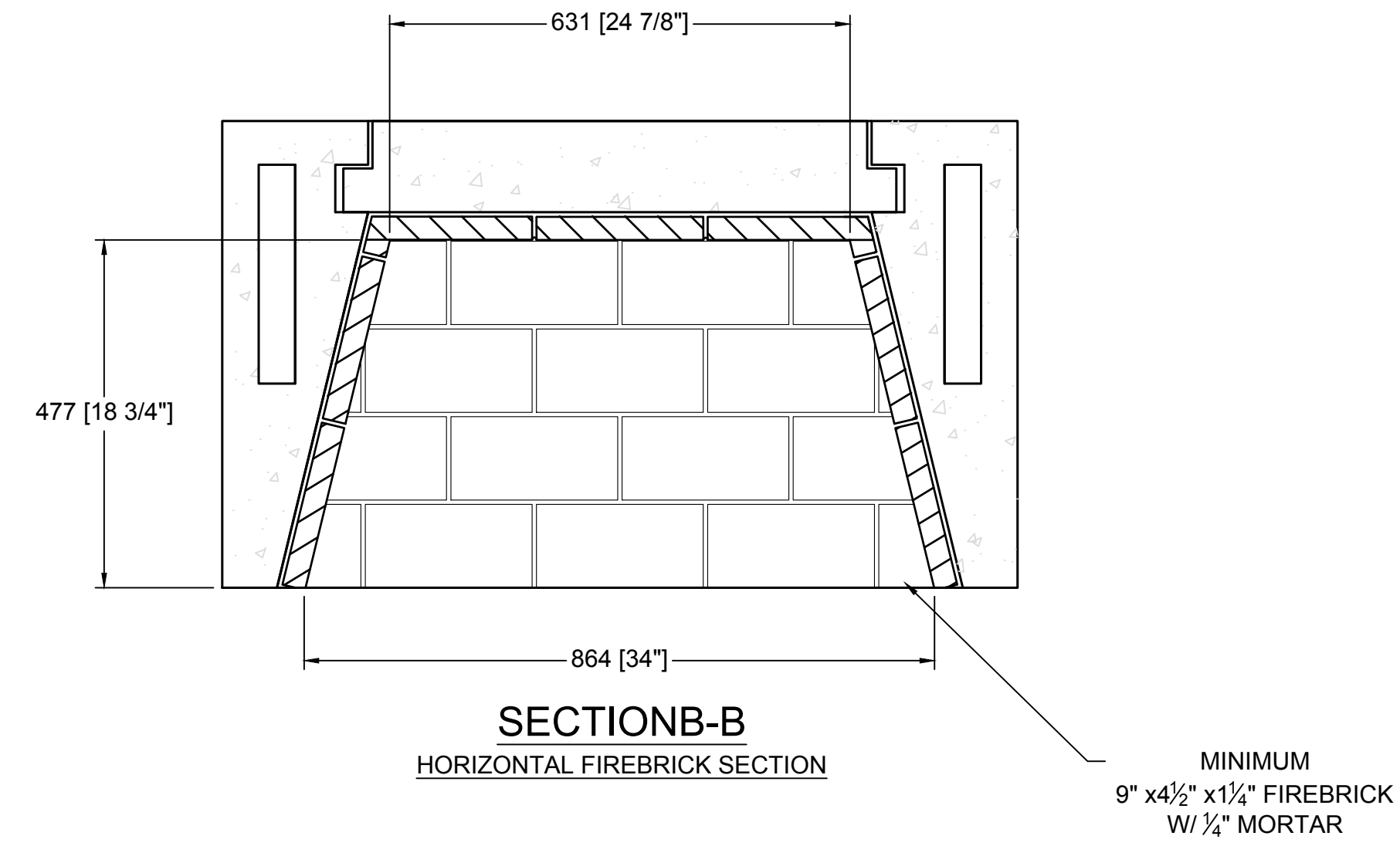
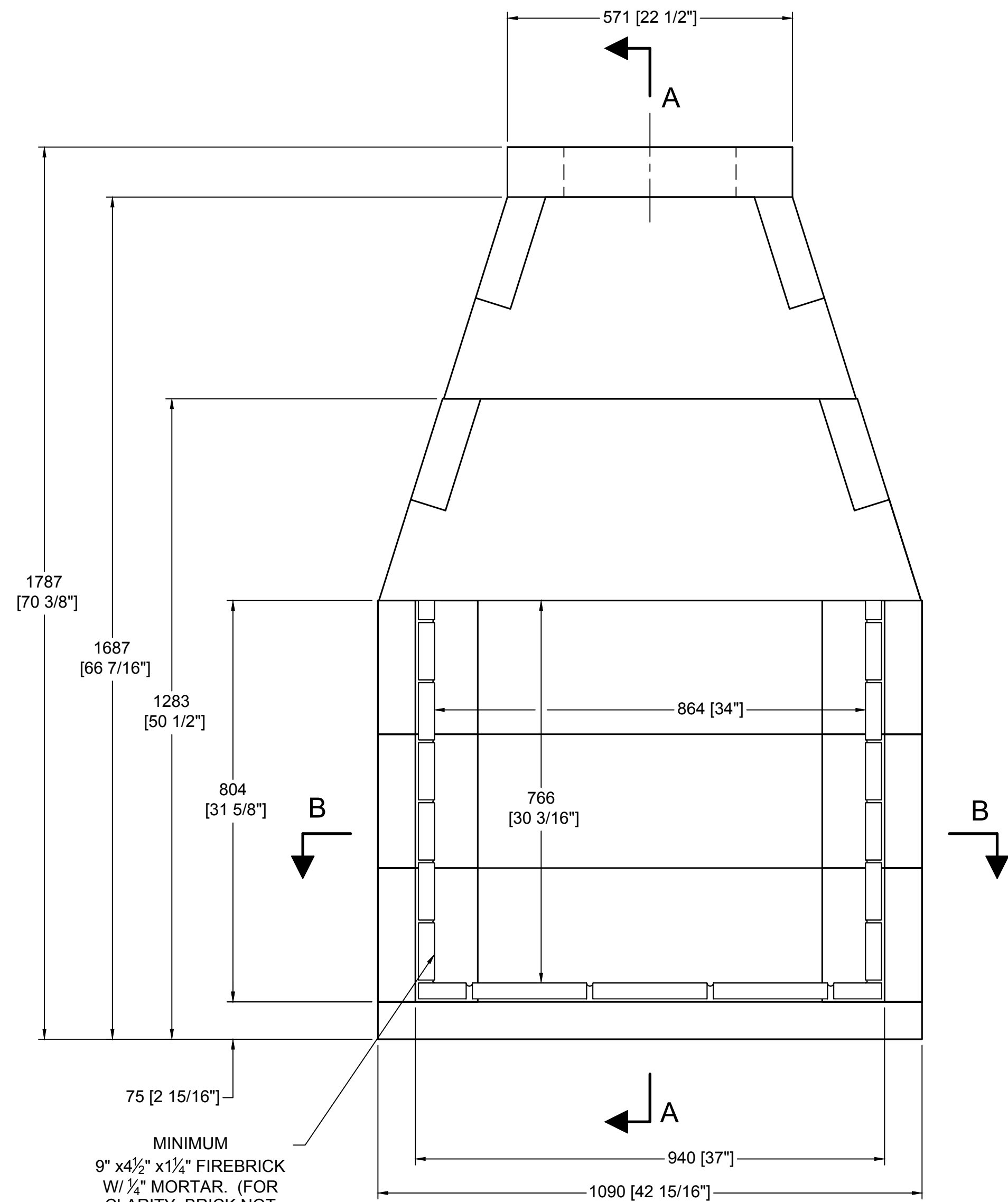


TOP VIEW

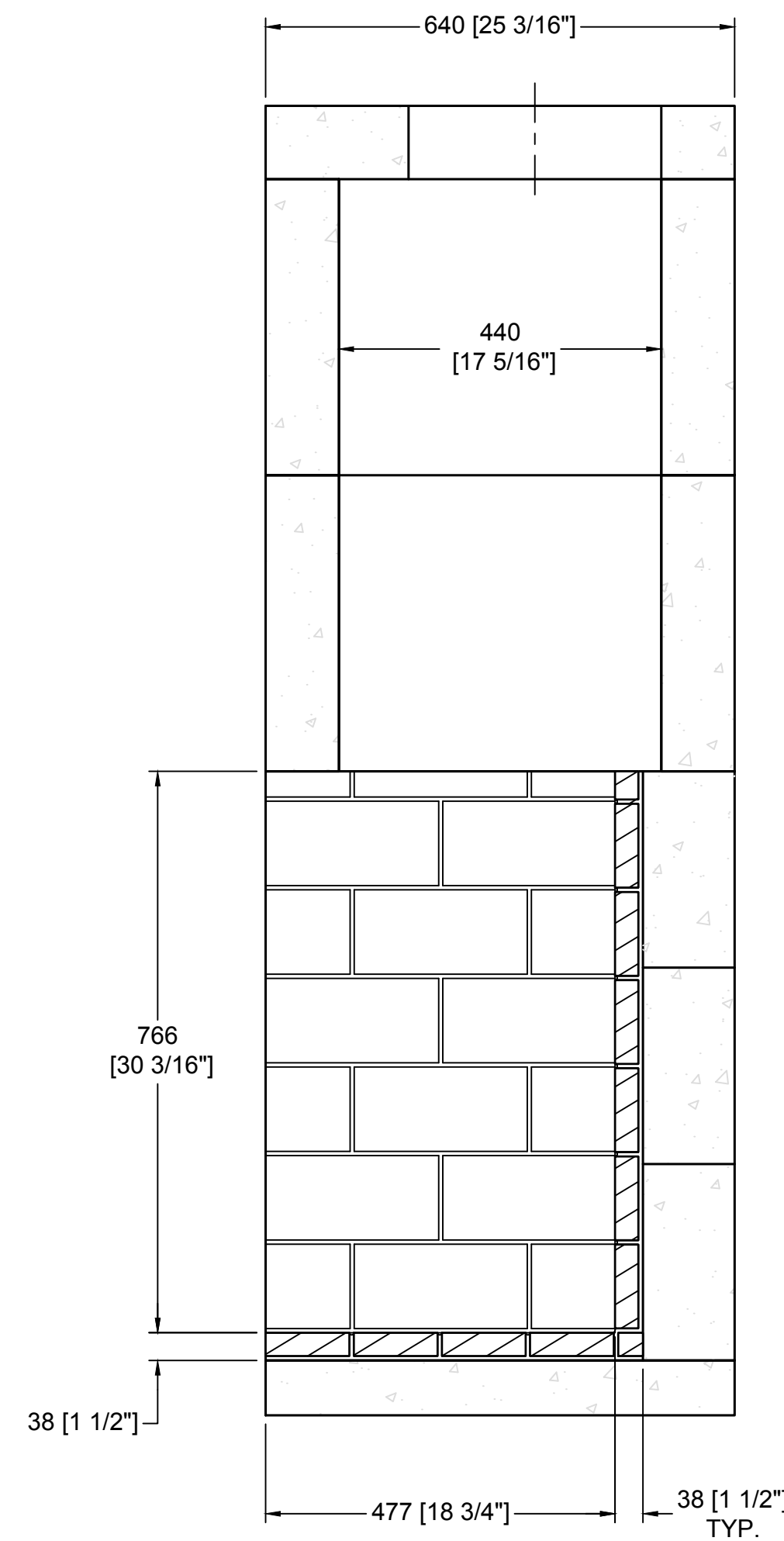


SECTION B-B
HORIZONTAL FIREBRICK SECTION

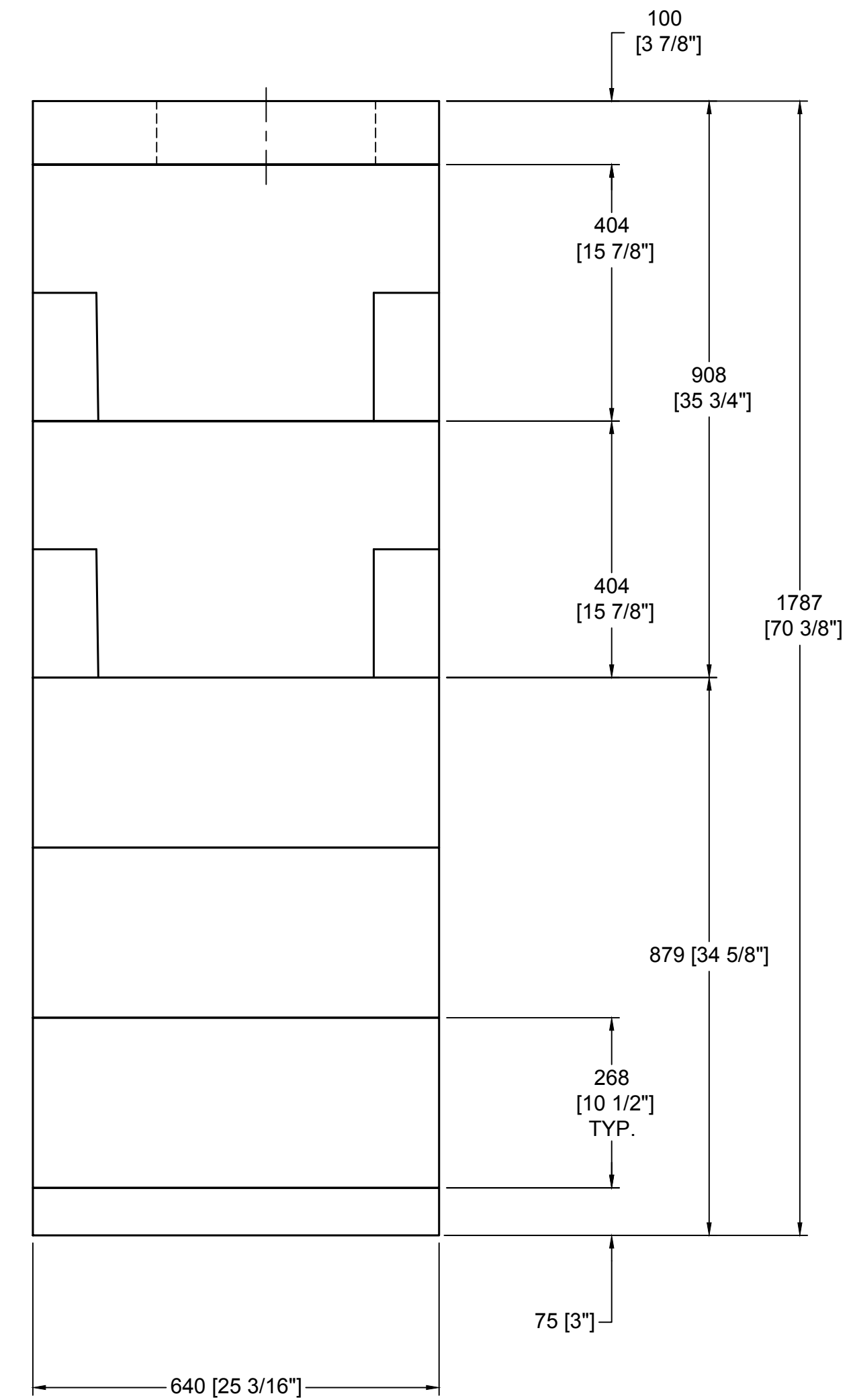
MINIMUM
9" x 4 1/2" x 1 1/4" FIREBRICK
W/ 1/4" MORTAR



FRONT VIEW



SECTION A-A
VERTICAL FIREBRICK DETAIL



RIGHT-SIDE VIEW

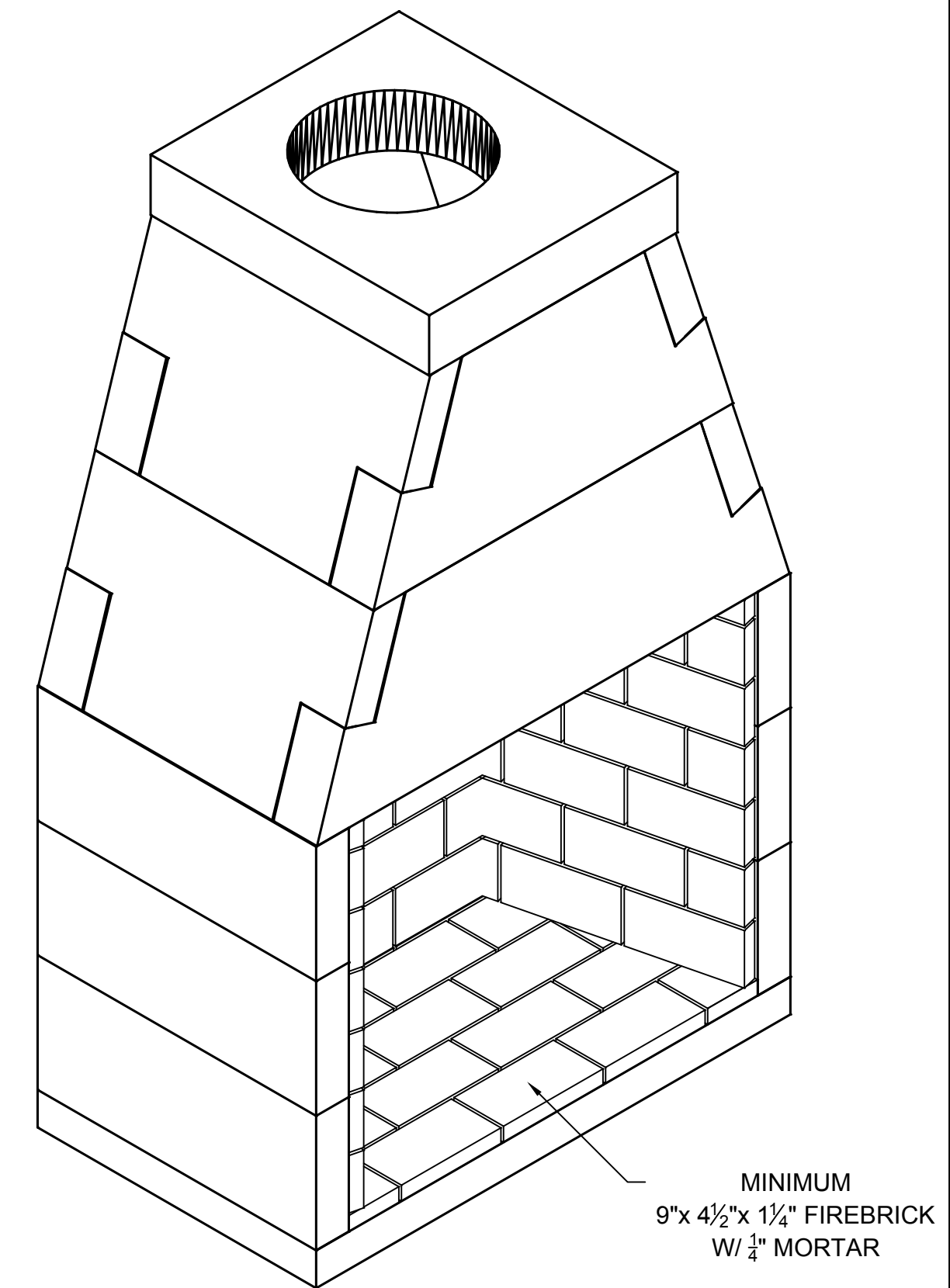
COMPONENT LIST

| PART # | DESCRIPTION | QTY. |
|--------|------------------------|------|
| 11 | SMOKE DOME (MIDDLE) | 2 |
| 12 | SMOKE DOME (SMALL) | 2 |
| 20 | SIDE WALL | 6 |
| 21 | BASEPLATE-36" (STD) | 1 |
| 25 | BACKWALL-36" (STD) | 3 |
| 34 | TOP SLOPING | 4 |
| 36S | TOP PLATE W/345mm HOLE | 1 |

GENERAL NOTES

- DRAWINGS ARE FOR DESIGN PURPOSES ONLY AND ARE THE SOLE PROPERTY OF EARTHCORE INDUSTRIES. ANY REPRODUCTION OR UNAUTHORIZED USE IS STRICTLY PROHIBITED.
- EARTHCORE/ ISOKERN OR ANY DIVISION THEREOF SHALL NOT BE HELD LIABLE FOR ANY INCIDENTAL OR CONSEQUENTIAL DAMAGES OR EXPENSES ARISING OUT OF THE USE OF THE FIREPLACES OR CHIMNEY SYSTEMS.
- ALWAYS CHECK LOCAL BUILDING CODES GOVERNING FIREPLACES AND FIREPLACE INSTALLATIONS.

ISOMETRIC VIEW (N.T.S)



MINIMUM
9" x 4 1/2" x 1 1/4" FIREBRICK
W/ 1/4" MORTAR. (FOR
CLARITY, BRICK NOT
SHOWN ALONG BACK
WALL)

MINIMUM
9" x 4 1/2" x 1 1/4" FIREBRICK
W/ 1/4" MORTAR



| | | | |
|--|--|--|--|
| UNLESS OTHERWISE STATED, ALL DIMENSIONS ARE IN MILLIMETERS | | PROJECT: 36" IBV SERIES | |
| THIRD ANGLE PROJECTION | | DESCRIPTION: FIREPLACE CONSTRUCTION DOCUMENT | |
| MATERIAL: E.C. PUMICE MIXTURE | | DATE: 5/15/2017 | |
| DRAWN: K.B.H. | | SCALE: 1-1/2"=1'-0" | |
| APPROVED: | | DRAWING #: 80B36 | |
| DATE: | | SHEET # 1 OF 1 | |

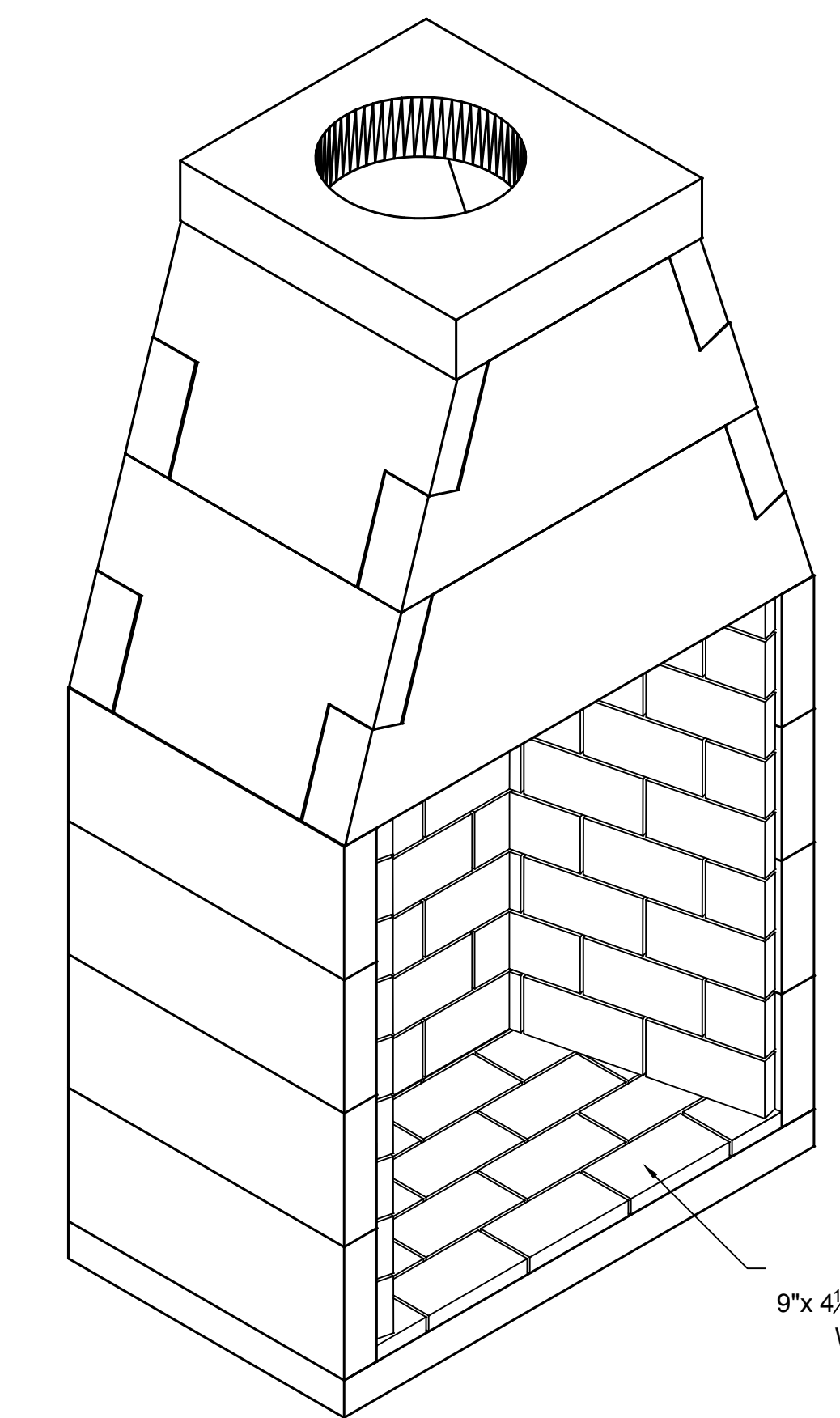
COMPONENT LIST

| PART # | DESCRIPTION | QTY. |
|--------|------------------------|------|
| 11 | SMOKE DOME (MIDDLE) | 2 |
| 12 | SMOKE DOME (SMALL) | 2 |
| 20 | SIDE WALL | 8 |
| 21 | BASEPLATE-36" (STD) | 1 |
| 25 | BACKWALL-36" (STD) | 4 |
| 34 | TOP SLOPING | 4 |
| 36S | TOP PLATE W/345mm HOLE | 1 |

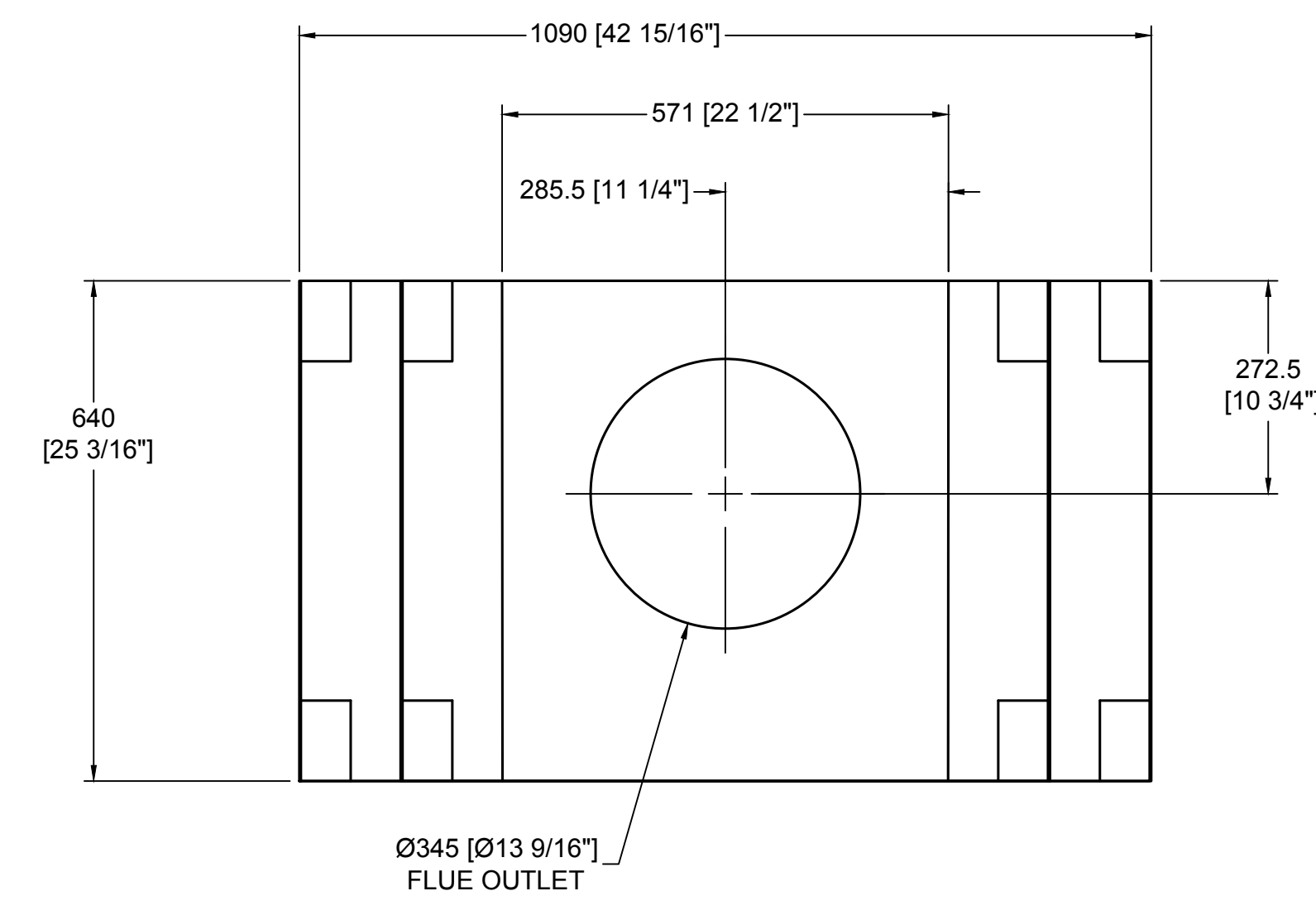
GENERAL NOTES

- DRAWINGS ARE FOR DESIGN PURPOSES ONLY AND ARE THE SOLE PROPERTY OF EARTHORE INDUSTRIES. ANY REPRODUCTION OR UNAUTHORIZED USE IS STRICTLY PROHIBITED.
- EARTHORE/ ISOKERN OR ANY DIVISION THEREOF SHALL NOT BE HELD LIABLE FOR ANY INCIDENTAL OR CONSEQUENTIAL DAMAGES OR EXPENSES ARISING OUT OF THE USE OF THE FIREPLACES OR CHIMNEY SYSTEMS.
- ALWAYS CHECK LOCAL BUILDING CODES GOVERNING FIREPLACES AND FIREPLACE INSTALLATIONS.

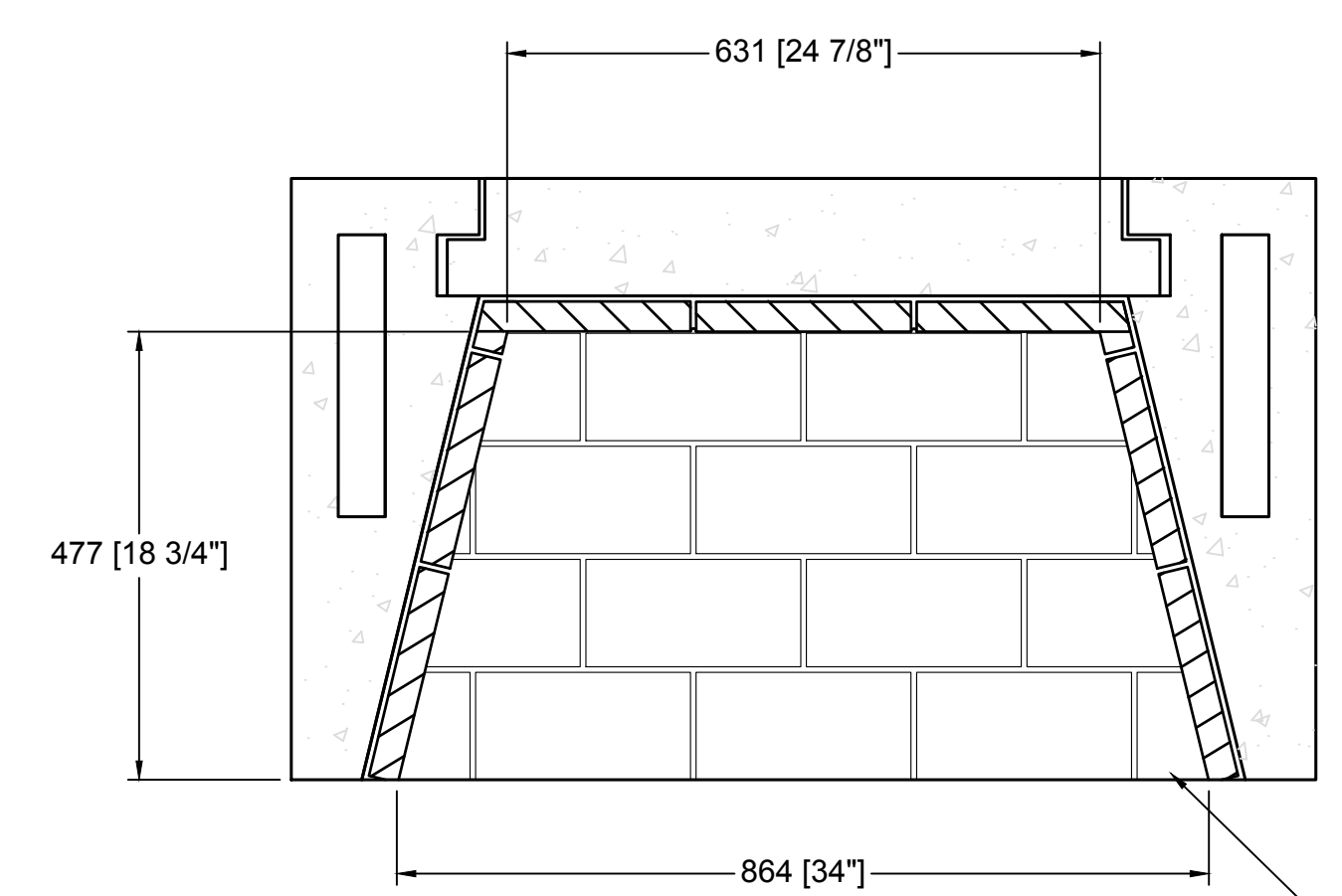
ISOMETRIC VIEW (N.T.S)



MINIMUM
9" x 4 1/2" x 1 1/4" FIREBRICK
W/ 1/4" MORTAR

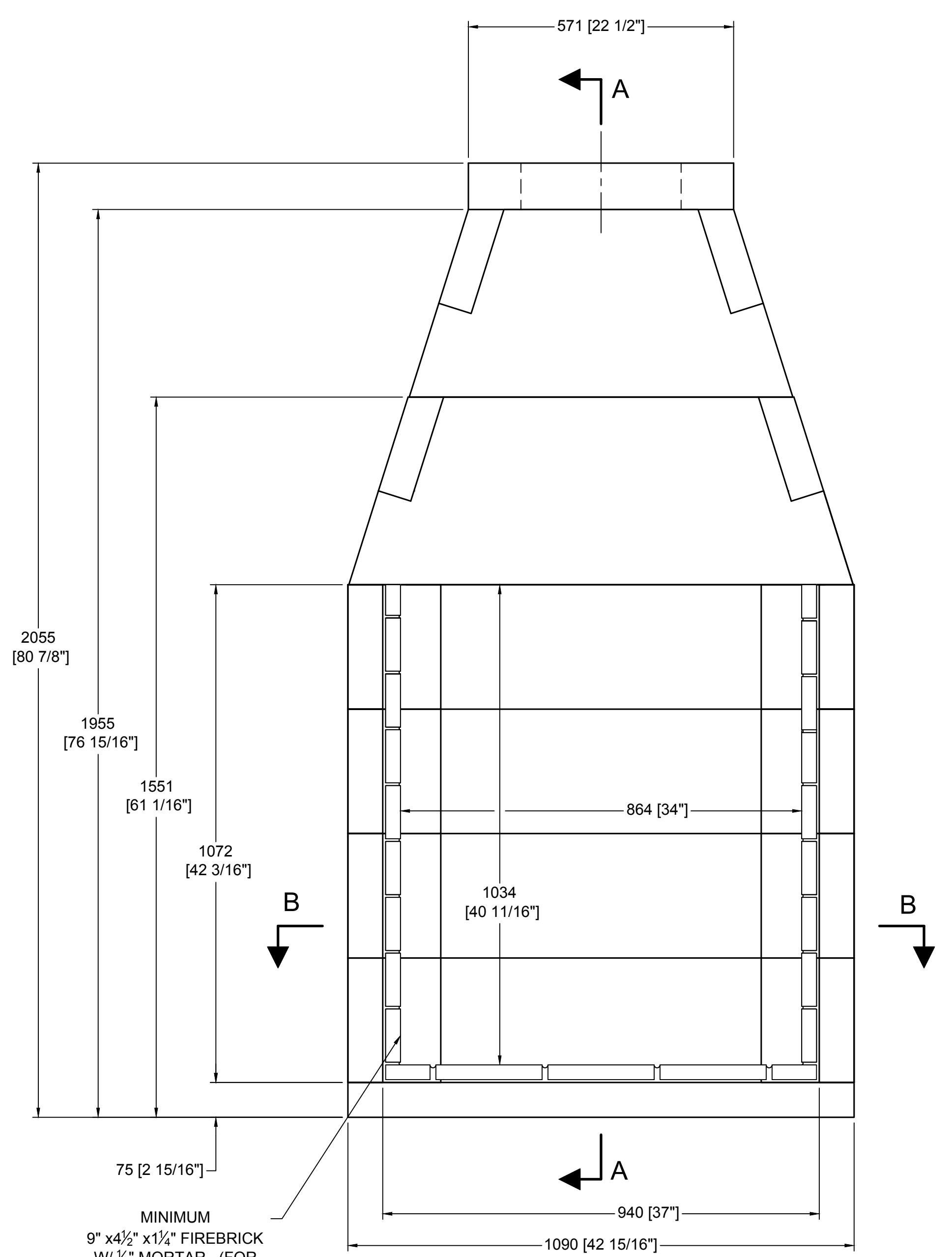


TOP VIEW



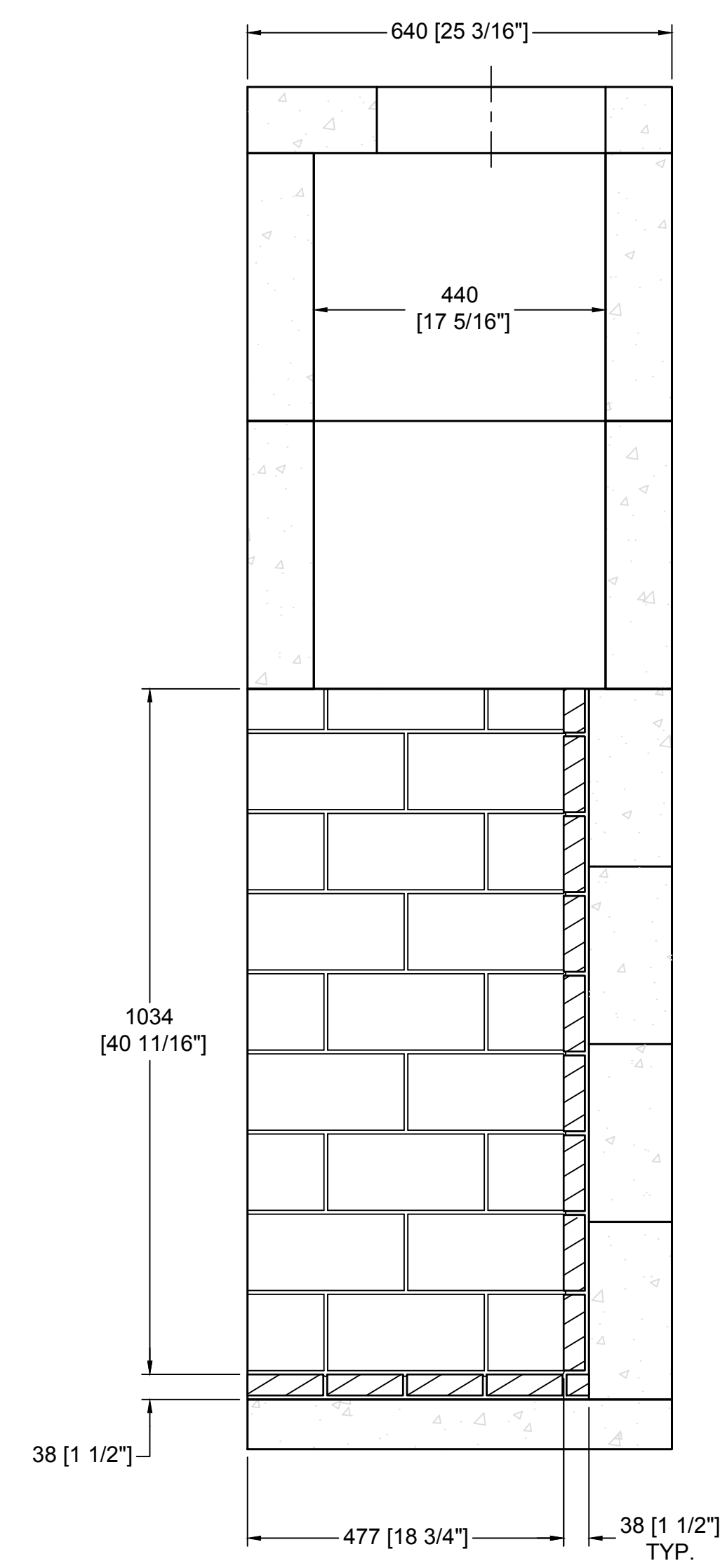
**SECTION B-B
HORIZONTAL FIREBRICK SECTION**

MINIMUM
9" x 4 1/2" x 1 1/4" FIREBRICK
W/ 1/4" MORTAR

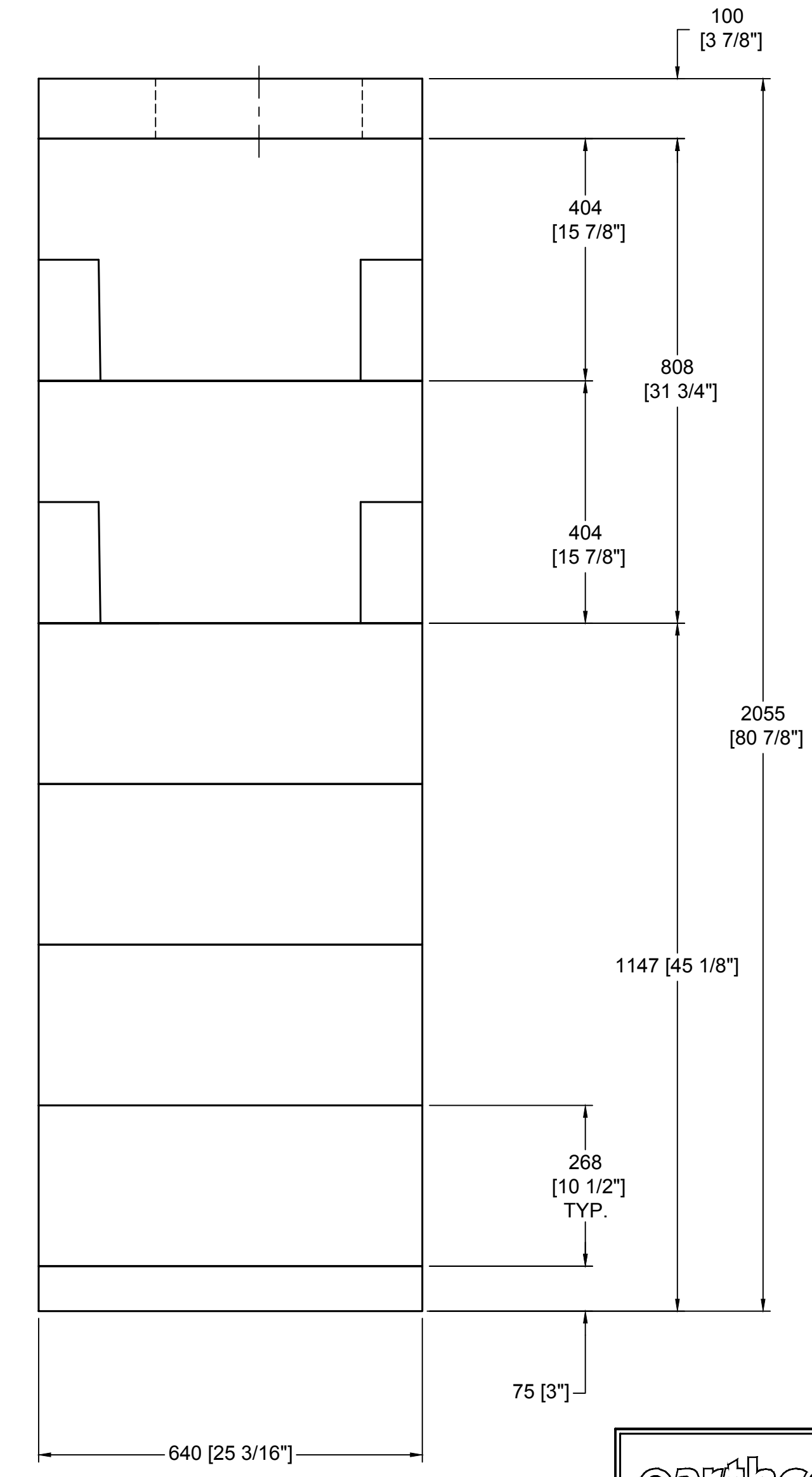


FRONT VIEW

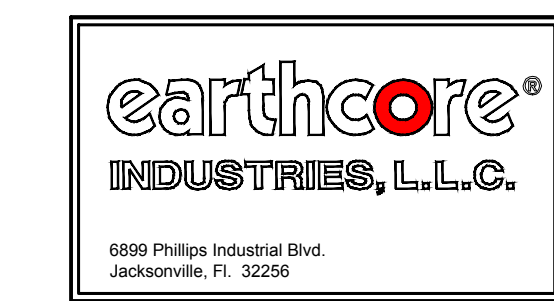
MINIMUM
9" x 4 1/2" x 1 1/4" FIREBRICK
W/ 1/4" MORTAR. (FOR
CLARITY, BRICK NOT
SHOWN ALONG BACK
WALL)



**SECTION A-A
VERTICAL FIREBRICK DETAIL**



RIGHT-SIDE VIEW



| | | | |
|--|------------------------|---|-------------------------|
| UNLESS OTHERWISE STATED, ALL DIMENSIONS ARE IN MILLIMETERS | | PROJECT: 36" IBV SERIES (4 BLK) | |
| THIRD ANGLE PROJECTION | | DESCRIPTION: FIREPLACE CONSTRUCTION DOCUMENT | |
| MATERIAL: E.C. PUMICE MIXTURE | DATE: 5/15/2017 | SIZE: 1-1/2"=1'-0" | DRAWING #: 80B36 |
| DRAWN: K.B.H. | DATE: 5/15/2017 | SCALE: D | DRAWING #: 80B36 |
| APPROVED: | DATE: | DO NOT SCALE | SHEET # 1 OF 1 |

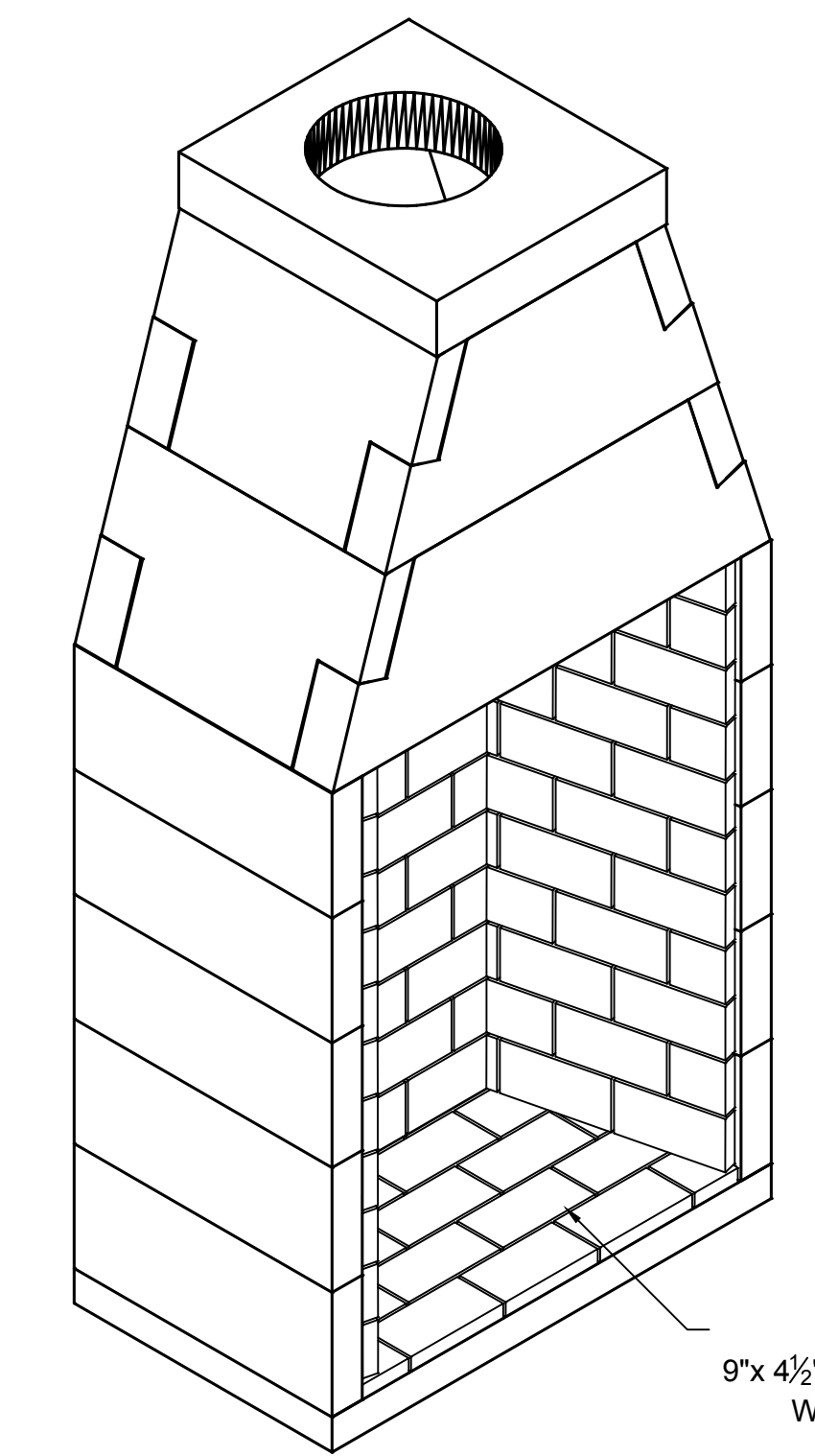
COMPONENT LIST

| PART # | DESCRIPTION | QTY. |
|--------|------------------------|------|
| 11 | SMOKE DOME (MIDDLE) | 2 |
| 12 | SMOKE DOME (SMALL) | 2 |
| 20 | SIDE WALL | 10 |
| 21 | BASEPLATE-36" (STD) | 1 |
| 25 | BACKWALL-36" (STD) | 5 |
| 34 | TOP SLOPING | 4 |
| 36S | TOP PLATE W/345mm HOLE | 1 |

GENERAL NOTES

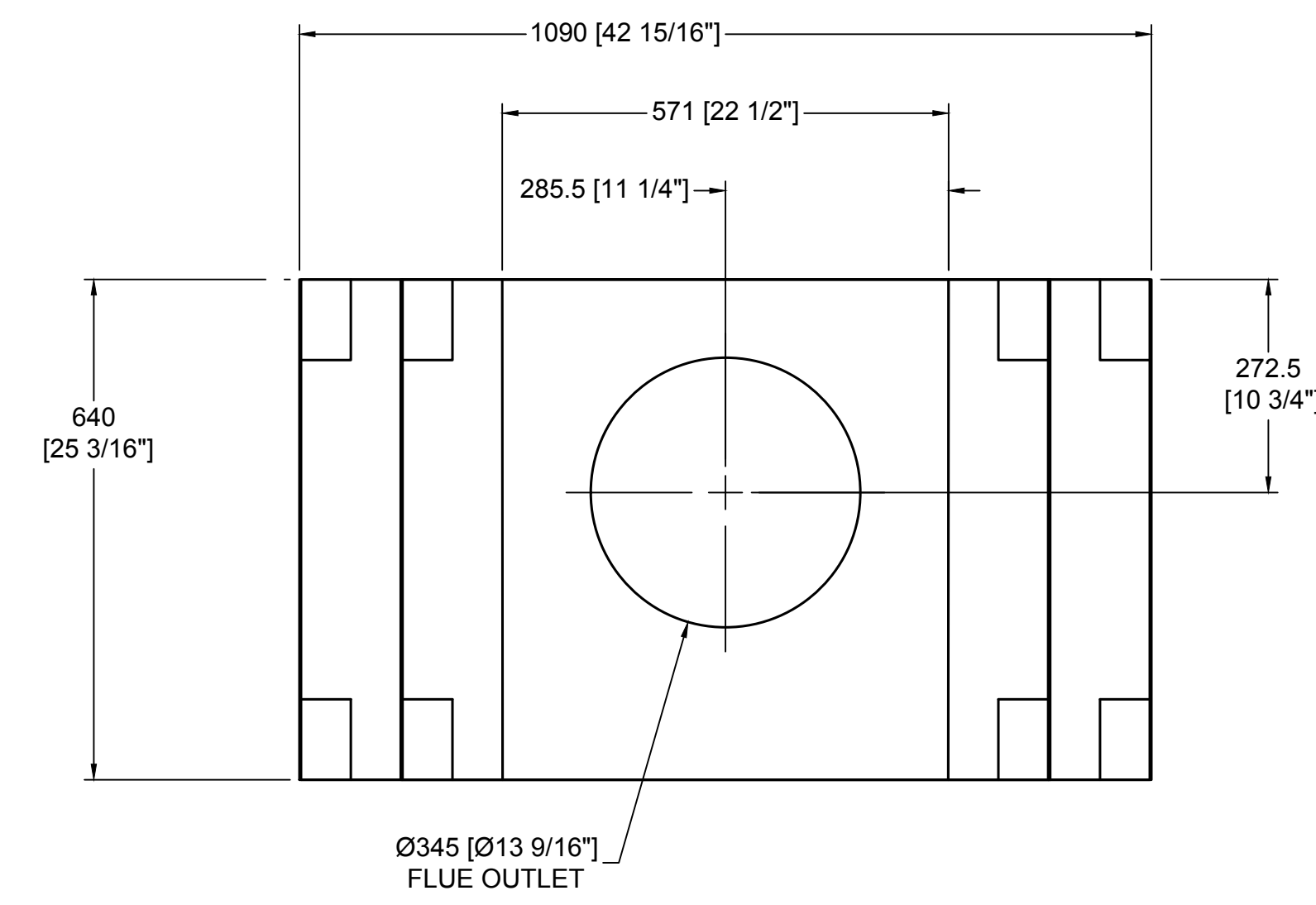
- DRAWINGS ARE FOR DESIGN PURPOSES ONLY AND ARE THE SOLE PROPERTY OF EARTH CORE INDUSTRIES. ANY REPRODUCTION OR UNAUTHORIZED USE IS STRICTLY PROHIBITED.
- EARTH CORE/ ISOKERN OR ANY DIVISION THEREOF SHALL NOT BE HELD LIABLE FOR ANY INCIDENTAL OR CONSEQUENTIAL DAMAGES OR EXPENSES ARISING OUT OF THE USE OF THE FIREPLACES OR CHIMNEY SYSTEMS.
- ALWAYS CHECK LOCAL BUILDING CODES GOVERNING FIREPLACES AND FIREPLACE INSTALLATIONS.

ISOMETRIC VIEW (N.T.S)

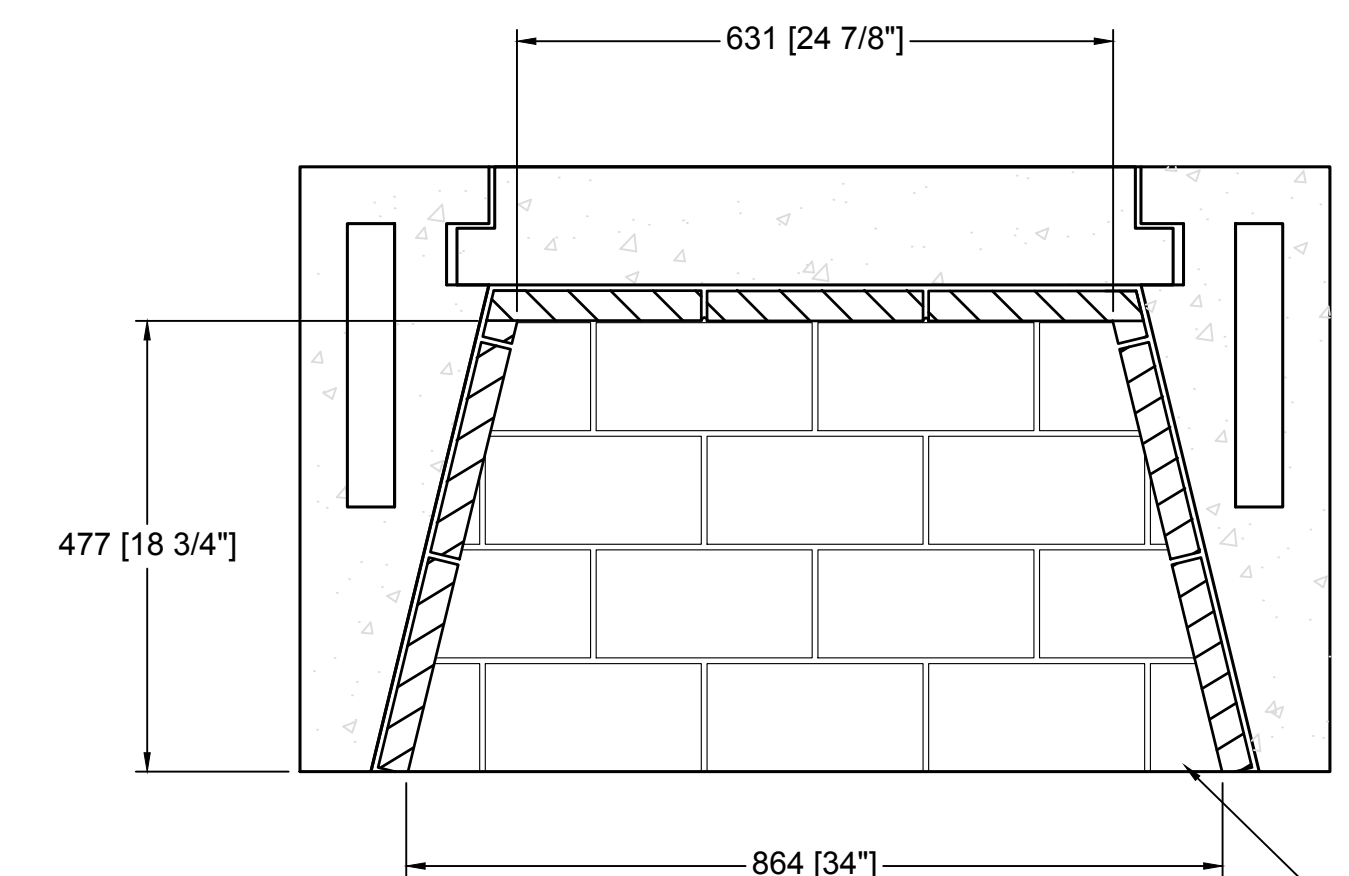


MINIMUM
9" x 4 1/2" x 1 1/4" FIREBRICK
W/ 1/4" MORTAR

ISOMETRIC VIEW
SCALE: N.T.S

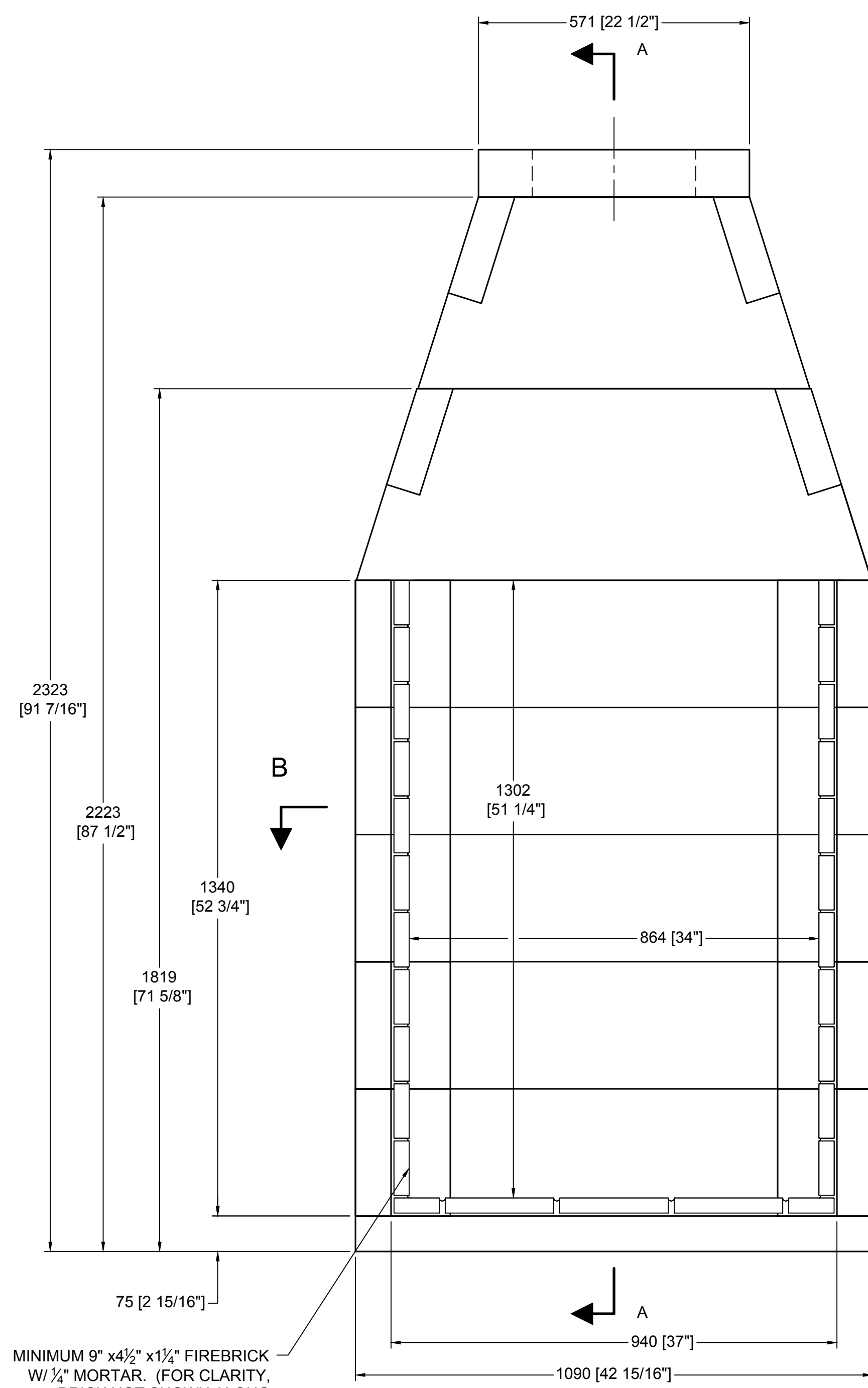


TOP VIEW

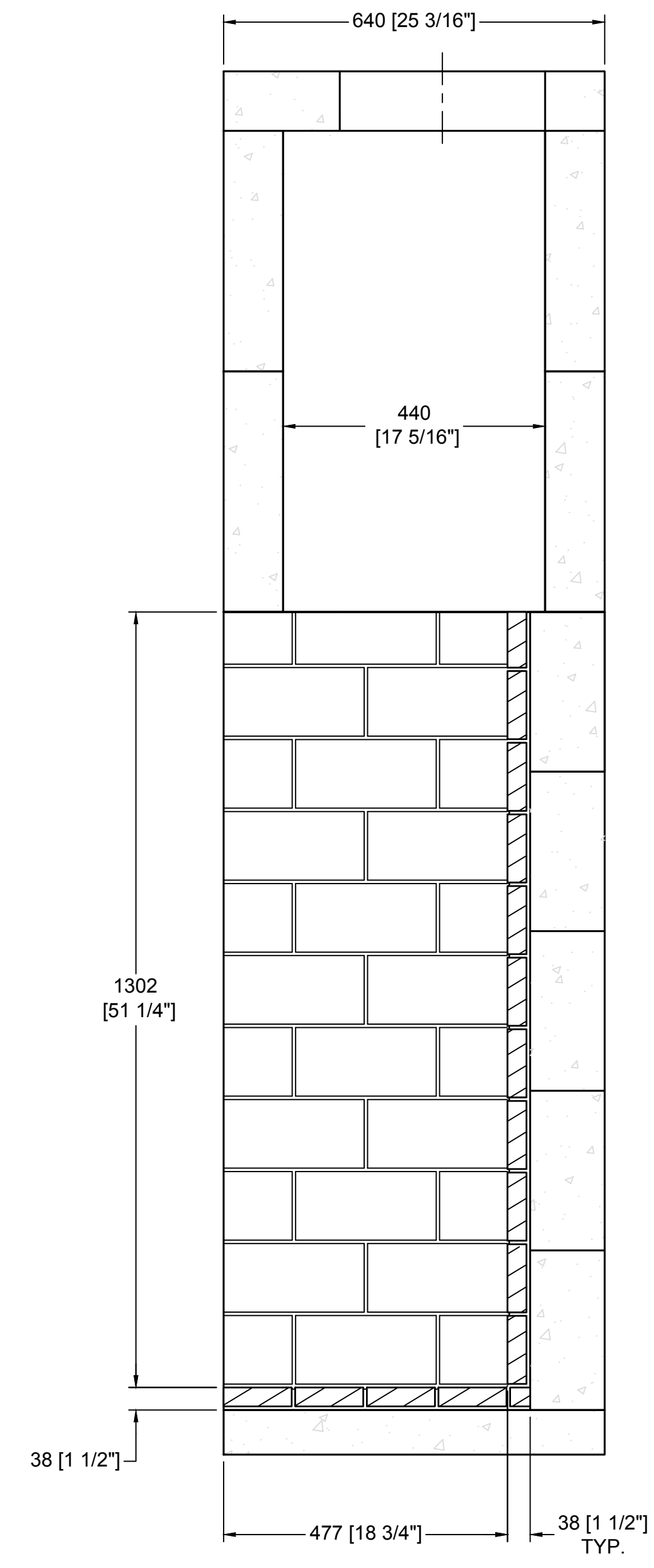


SECTION B-B
HORIZONTAL FIREBRICK SECTION

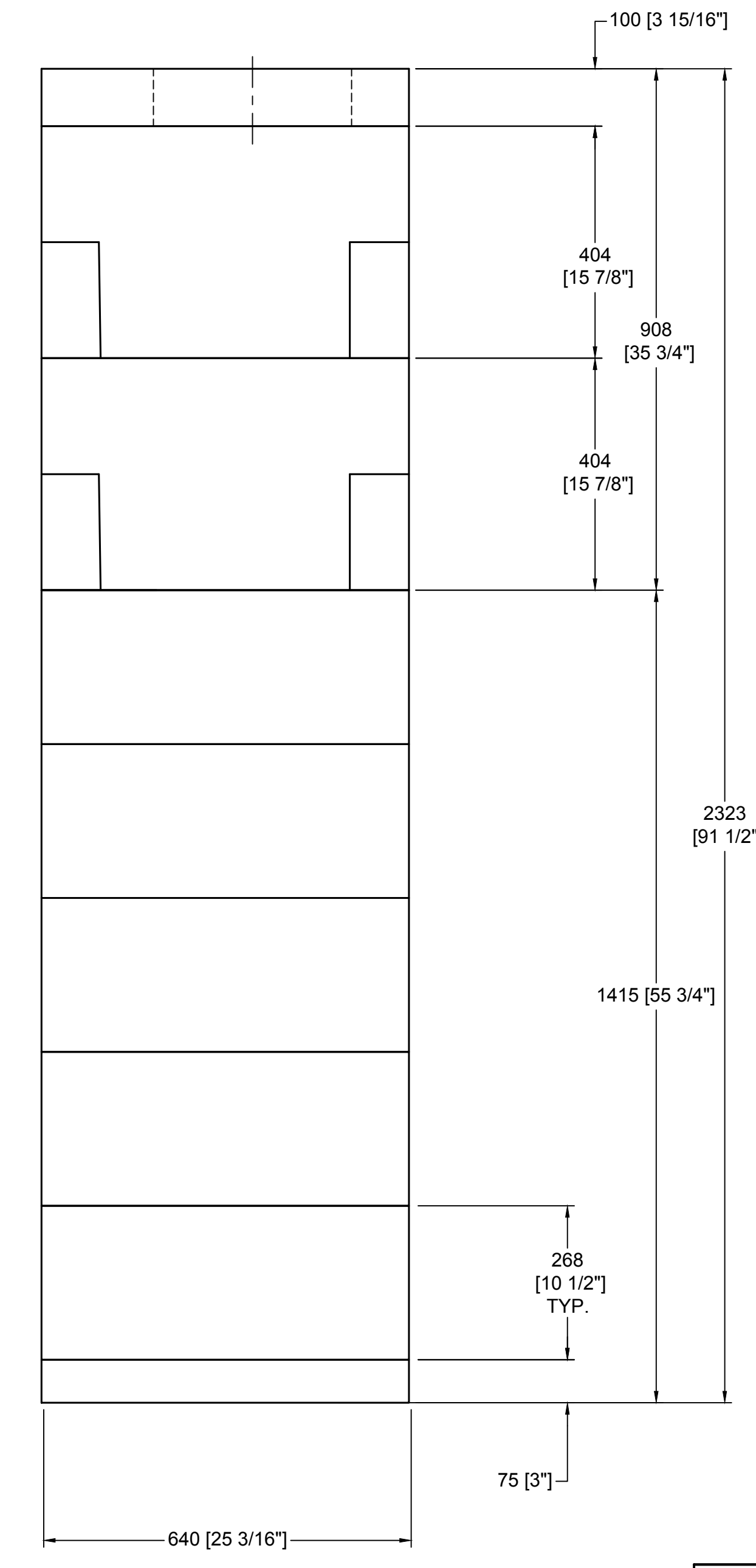
MINIMUM
9" x 4 1/2" x 1 1/4" FIREBRICK
W/ 1/4" MORTAR



FRONT VIEW



SECTION A-A
VERTICAL FIREBRICK DETAIL



RIGHT-SIDE VIEW

MINIMUM 9" x 4 1/2" x 1 1/4" FIREBRICK
W/ 1/4" MORTAR. (FOR CLARITY,
BRICK NOT SHOWN ALONG
BACK WALL)



| | | | |
|--|------------------------|---|---------------------------|
| UNLESS OTHERWISE STATED, ALL DIMENSIONS ARE IN MILLIMETERS | | PROJECT: 36" IBV SERIES (5 BLK) | |
| UNSPECIFIED TOLERANCES | THIRD ANGLE PROJECTION | DESCRIPTION: FIREPLACE CONSTRUCTION DOCUMENT | |
| ANG. X ± | | MATERIAL: E.C. PLUMICE MIXTURE | SIZE: 1-1/2"=1'-0" |
| LIN. X ± | | DRAWN: K.B.H. | DATE: 5/15/2017 |
| X ± | | APPROVED: | DATE: |
| XX ± | | | |
| | | DRAWING #: 80B36 | REV: 1 |
| | | DO NOT SCALE SHEET # 1 OF 1 | |